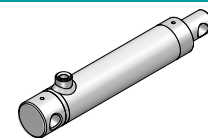
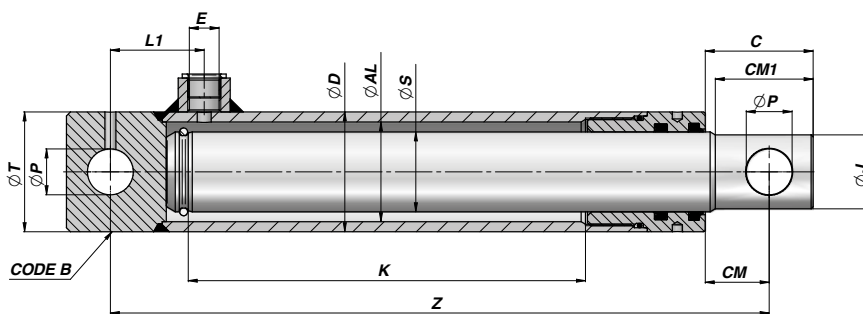


CILINDRO TUFFANTE TIPO "HFRT"  
PLUNGER CYLINDER "HFRT" TYPE

**HFRT**

Series M250



Codice Code	K	Z	kg	E BSP	L1	ØP	CM	C	ØJ	CM1	ØT	Code B
<b>ØD 40 ØAL 30 ØS 25</b>												
HFRT125100	100	190	1,64									CFHR030014030
HFRT125150	150	240	2,05									
HFRT125200	200	290	2,46	3/8"	40	14,10	24	38	22	35	40	
HFRT125250	250	340	2,87									
HFRT125300	300	390	3,28									
<b>ØD 50 ØAL 40 ØS 30</b>												
HFRT230200	200	300	3,64									CFO4005016
HFRT230250	250	350	4,19									
HFRT230300	300	400	4,74									
HFRT230350	350	450	5,30	3/8"	42	16,20	26	42	27	37	50	
HFRT230400	400	500	5,85									
HFRT230550	550	650	7,52									
HFRT230700 <b>NEW!</b>	700	800	9,18									
<b>ØD 60 ØAL 50 ØS 40</b>												
HFRT340200	200	330	6,08									CFHR050023050
HFRT340250	250	380	6,91									
HFRT340300	300	430	7,75									
HFRT340350	350	480	8,58	3/8"	47	23,10	32	54	37	49	60	
HFRT340400	400	530	9,41									
HFRT340550	550	680	11,90									
HFRT340700	700	830	14,40									
<b>ØD 60 ØAL 50 ØS 45</b>												
HFRT345200 <b>NEW!</b>	200	330	6,73									CFHR05023050
HFRT345250 <b>NEW!</b>	250	380	7,69									
HFRT345300 <b>NEW!</b>	300	430	8,66	3/8"	47	23,10	34	56	42	49	60	
HFRT345350 <b>NEW!</b>	350	480	9,62									
HFRT345400 <b>NEW!</b>	400	530	10,58									
<b>ØD 70 ØAL 60 ØS 50</b>												
HFRT450300	300	460	11,40									CFHRT07060
HFRT450400	400	560	13,74									
HFRT450550	550	710	17,25	3/8"	50	25,50	49	74	47	65	65	
HFRT450700	700	860	20,77									
<b>ØD 80 ØAL 70 ØS 60</b>												
HFRT560200 <b>NEW!</b>	200	360	12,26									CFHRT08070
HFRT560300 <b>NEW!</b>	300	460	15,40									
HFRT560400 <b>NEW!</b>	400	560	18,53	3/8"	50	25,25	36	61	57	57	75	
HFRT560550 <b>NEW!</b>	550	710	23,24									
HFRT560700 <b>NEW!</b>	700	860	27,95									
<b>ØD 92 ØAL 80 ØS 70</b>												
HFRT570300 <b>NEW!</b>	300	509	22,66									CFHRT09080
HFRT570400 <b>NEW!</b>	400	609	26,94									
HFRT570500 <b>NEW!</b>	500	709	31,23	3/8"	55	30,25	66	96	67	90	85	

MATERIALE TUBO: ACCIAIO St 52.3 DIN 2393 ISO H9  
TUBE MATERIAL : STEEL St 52.3 DIN 2393 ISO H9

MATERIALE ASTA: ACCIAIO UNI C45 SAE 1045 CROMO 25 µm ±5 Rating 9 / 200h ISO 10289 – 1999/ISO 9227-NSS  
ROD MATERIAL : STEEL UNI C45 SAE 1045 CHROME 25 µm ±5 Rating 9 / 200h ISO 10289 – 1999/ISO 9227-NSS



[www.hydrotruck.cz](http://www.hydrotruck.cz)  
[info@hydrotruck.cz](mailto:info@hydrotruck.cz)

Hydrotruck s.r.o.  
Tovačovská 3457/4a  
750 02, Přerov  
Česká republika