



SAP DIN Optimised is a series of piston pumps with a fixed displacement for demanding mobile hydraulics.

SAP 084, 108 DIN Optimised covers the displacement range 84 and 108 cm³/rev. at a maximum pressure of 400 bar. It is a modern, compact pump which meets the market's high demands on flow performance, pressure, efficiency and small installation dimensions. It is either mounted directly on the power take-off or on a frame bracket via an intermediate shaft.

It is a speed-optimised pump and are therefore supplied for either left (L) or right (R) rotation direction.

The front seals in the pump are made of HNBR to withstand the higher temperatures that occur at engine PTO mounting.

Other advantages:

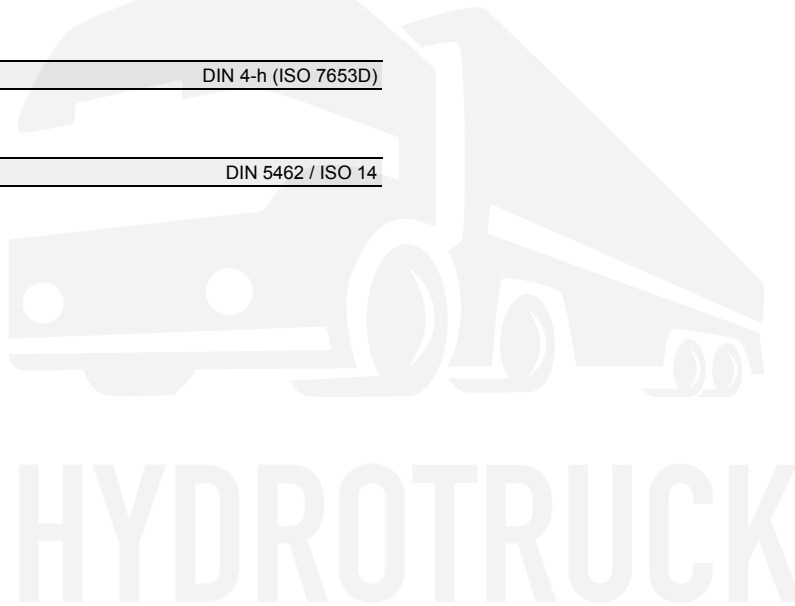
- Light weight metal casing design
- Smooth operation over the entire speed range
- Long life due to high demands on material selection, such as bearings, seals, etc
- Corrosion free light metal-housing
- Less heat generation due to better ability to dissipate heat through housing

Versions, main data

Example

SA	P	-	084	L	-	V	-	DL4	-	L35	-	S0	S	-	2	00
Line	1		2	3		4		5		6		7	8		9	10

Line	SA	Sunfab Aluminium	7.	S0	40° Sunfab standard		
1. Type	P	Pump	8. Connections	S	Sunfab standard		
2. Displacement		084	108	9. Additional	2	Optimised	
3. Direction of rotation	R	Right	L	Left	10. Accessories	00	No accessories available
4. Sealing	V	HNBR					
5. Mounting flange	DL4	DIN 4-h (ISO 7653D)					
6. Shaft	L35	DIN 5462 / ISO 14					



www.hydrotruck-cerpadla.cz
info@hydrotruck.cz

Hydrotruck s.r.o.
 Tovačovská 3457/4a
 750 02, Přerov
 Česká republika

Pump SAP 084, 108 DIN Optimised

		084	108
Theoretical oil flow l/min at pump speed	rpm	500	54
		1000	108
		1500	162
			l/min
Displacement	cm ³ /rev	83.6	108.0
Max pump speed	rpm	1800	1800
		2300	2300
Max working pressure	bar	400	400
Weight	kg	13.9	13.9
Tare-weight torque (M)	Nm	18.0	18.0
Direction of rotation	Left (L) or Right (R)		



HYDROTRUCK

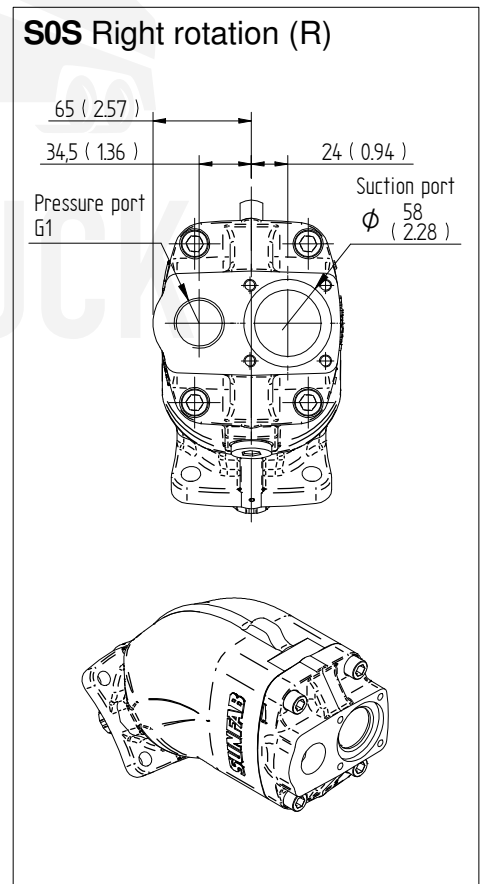
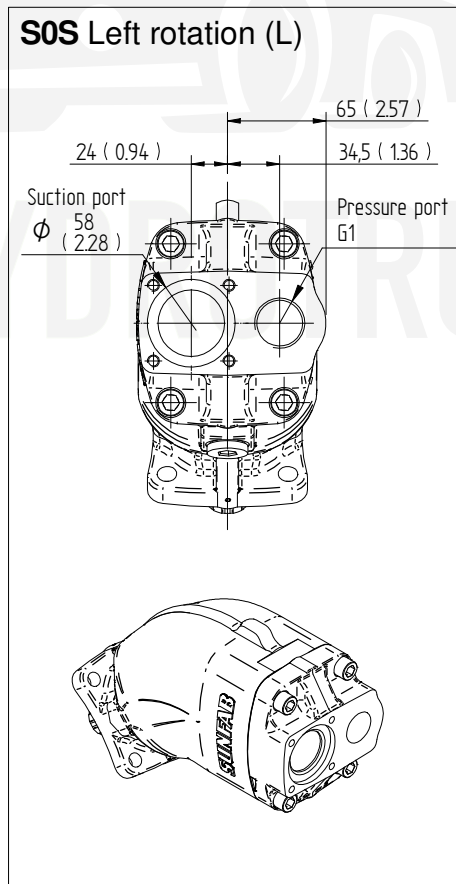
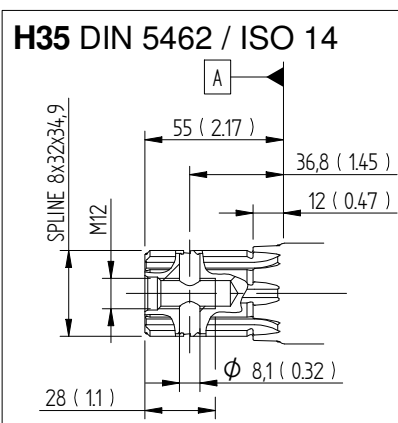
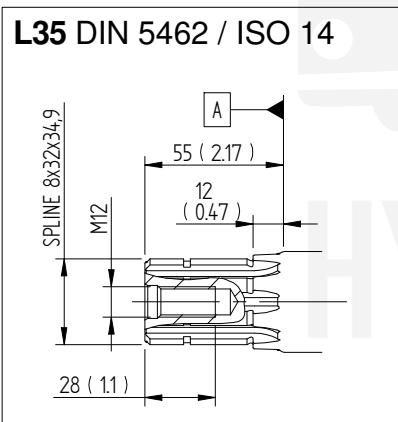
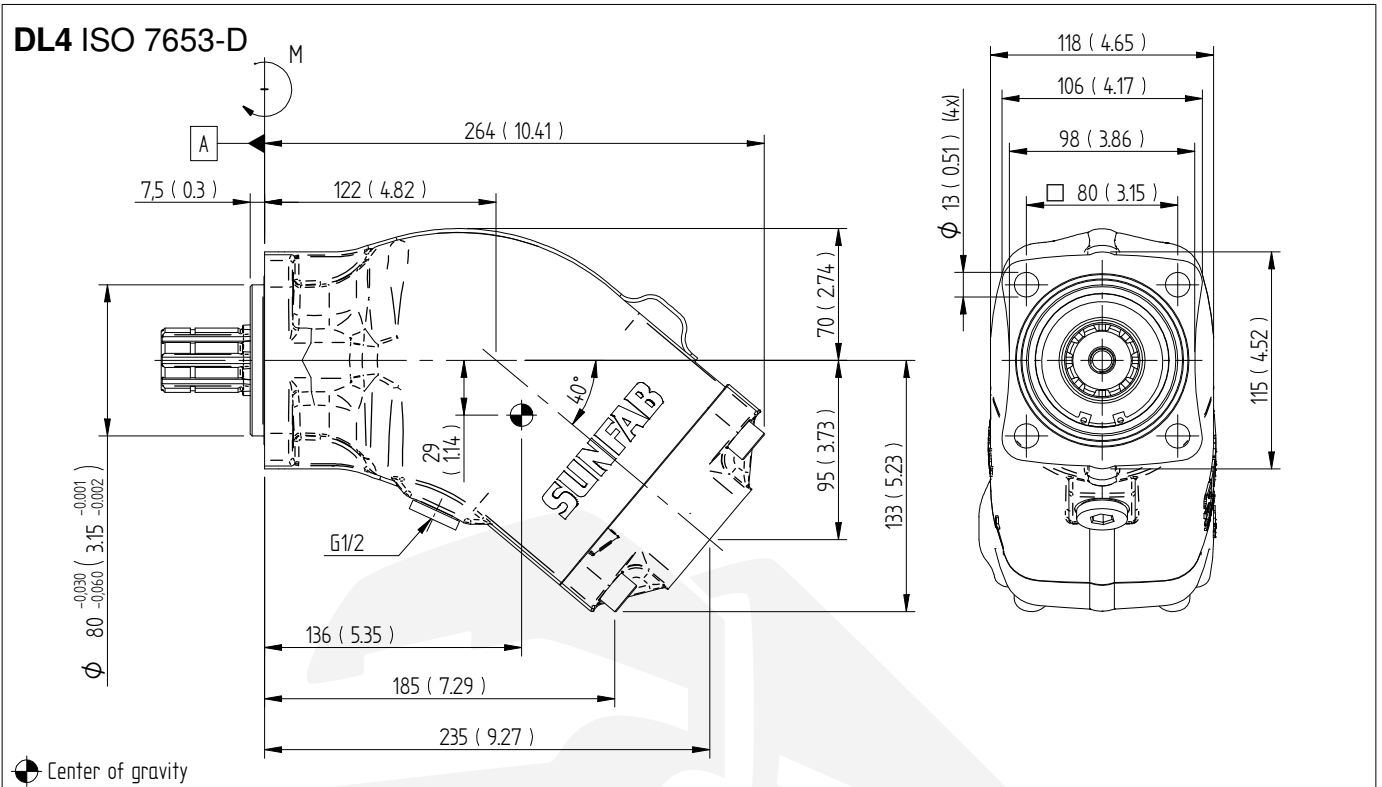


www.hydrotruck-cerpadla.cz
info@hydrotruck.cz

Hydrotruck s.r.o.
Tovačovská 3457/4a
750 02, Přerov
Česká republika

Dimensions SAP 084-108, SAPT 130

Millimeter (inch)



www.hydrotruck-cerpadla.cz
info@hydrotruck.cz

Hydrotruck s.r.o.
 Tovačovská 3457/4a
 750 02, Přerov
 Česká republika



HYDROTRUCK



WARNING!

When the pump is running:

1. Do not touch the pressure hose
2. Watch out for rotating parts
3. The pump and hoses may be hot

Sunfab reserves the right to make changes in design and dimensions without notice. Printing and typesetting errors reserved.

© Copyright 2019 Sunfab Hydraulics AB. All Rights Reserved.



www.hydrotruck-cerpadla.cz
info@hydrotruck.cz

Hydrotruck s.r.o.
Tovačovská 3457/4a
750 02, Přerov
Česká republika