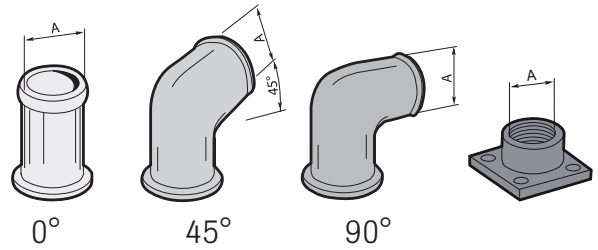
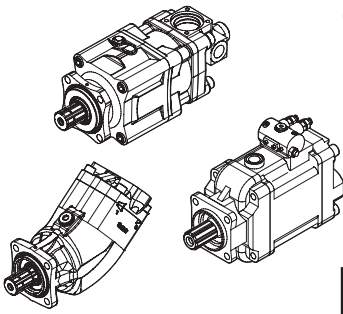


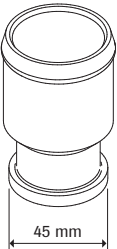
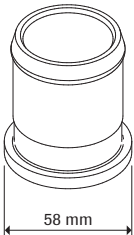


Suction Connections

Sauganschlüsse

Suganslutningar



	A		max. l/min				
	mm	inch		0°	45°	90°	
SAP 012-064 SCP 012-064 SAPT 090 	32	1 1/4"	50	18245	—	—	—
	38	1 1/2"	65	18048	20100	18400	—
	42	1 5/8"	85	—	20136	—	—
	45	1 3/4"	110	—	20423	—	—
	50	2"	120	18047	20101	18401	—
	64	2 1/2"	165	—	20139	—	—
		G 1"	50	—	—	—	50403
SAP 084-108 SCP 084-108 SAPT 130 SCPD 56/26, 76/76 SLPD 20/20-64/32 SVH 062-130 	38	1 1/2"	65	18049	—	18402	—
	42	1 5/8"	85	—	20137	—	—
	45	1 3/4"	110	—	20424	—	—
	50	2"	120	17890	20102	18403	—
	64	2 1/2"	165	18603	20103	18394	—
	75	3"	260	18366	20274	—	—
		G 1 1/4"	80	—	—	—	50404

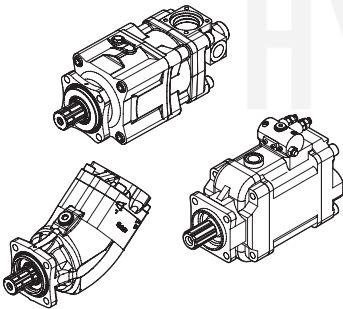
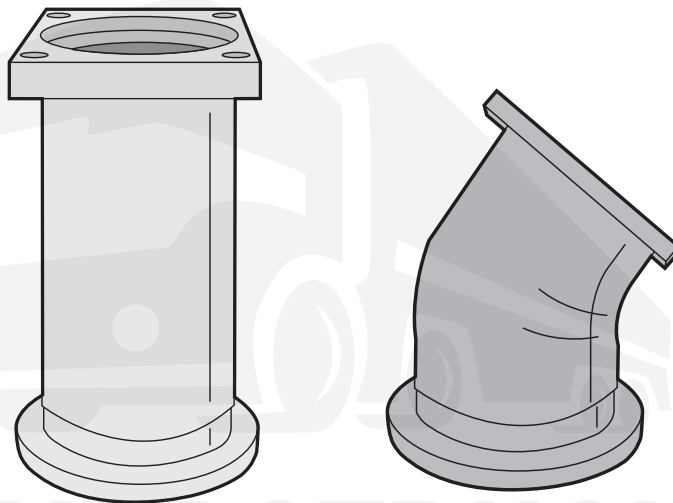
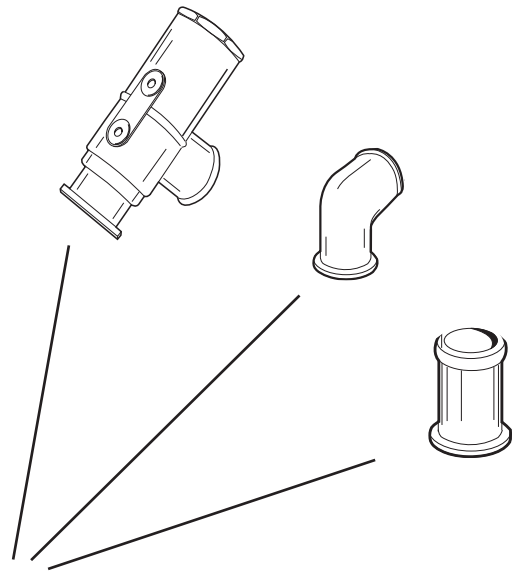
Given flows valid for mineral oil (10-1500 cSt) and maximum of 2 meter long suction line.

Die angegebenen Volumenströme beziehen sich auf Mineralöle (10-1500 cSt) und einer max. 2 Meter langen Saugleitung.

Angivna flöden gäller för mineralolja (10-1500 cSt) och max 2 meter lång sugledning.



Adapter straight, 45°
 Adapter gerade, 45°
 Adapter rak, 45°



HYDROTRUCK

SAP 084-108, SAPT 130
 SCP 084-130
 SCPD 56/26, 76/76
 SLPD, SVH

50944

18273

Page 1:1