



TXV series

pumps with

Load Sensing control

variable displacement piston pumps

ADVANTAGES

- ▶ TXV series pumps are variable displacement with pressure-flow control – called **Load Sensing**. They **self-regulate to give just the flow required for each movement**.
- ▶ Specifically designed for the needs of the *truck hydraulics market*, TXV pumps are particularly well adapted for applications in:
 - loader cranes,
 - forestry cranes,
 - refuse vehicles,
 - salt spreaders, snow and ice equipment,
 - construction equipment vehicles.
- ▶ Extremely compact in size to allow direct flange-mounting on vehicle engine or gearbox PTOs.
- ▶ TXV pumps are available in 11 models with maximum displacement from 40 to 150 cc/rev.

Maximum pressure is up to 420 bar depending on model.



www.hydrotruck-cerpadla.cz
info@hydrotruck.cz

Hydrotruck s.r.o.
 Tovačovská 3457/4a
 750 02, Přerov
 Česká republika

Why use a variable displacement pump?

- ▶ *Installing a TXV variable displacement pump will transform your hydraulic equipment. Slow or rapid movements are done with precision, due to the constant adjustment of pump flow rate.*
- ▶ *The pump incorporates a load sensing device to control flow and maximum pressure. This control device is piloted by a proportional valve which informs the pump of the flow needed for the different circuits supplied by the pump, independently of pressure.*



1 & 3

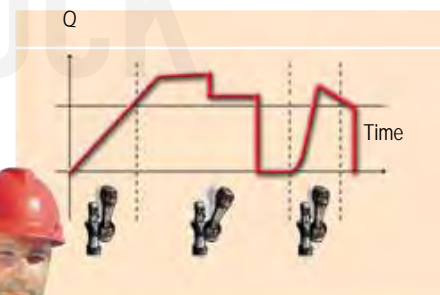
For slow and precise movements, the pump adjusts its flow to whatever the user needs, whilst also controlling maximum circuit pressure. Oil heating and lamination, and noise level, are considerably reduced compared to a fixed displacement pump.

The motor driving the pump only provides the power actually needed by the equipment, thus ensuring:

- longer service life of that equipment;
- significant gains in energy consumption;
- and overall a more environmentally friendly solution.

2

For rapid movements, the pump supplies the required flow virtually instantaneously.



The proportional movement of the control lever is perfectly reproduced by the pump.



www.hydrotruck-cerpadla.cz
info@hydrotruck.cz

Hydrotruck s.r.o.
 Tovačovská 3457/4a
 750 02, Přerov
 Česká republika

TXV - How does it work ?

- ▶ TXV variable displacement pumps are of axial piston design with 11 pistons, thus ensuring optimal regularity of flow and a low noise level.
- ▶ The displacement of the pump is proportional to the stroke of the pistons. Displacement – and thus flow - is varied by changing the angle α of the swashplate (Fig.1).
- ▶ To change displacement from maximum to zero (complete flow cancellation), the swashplate angle goes from α max (Fig. 1) to α min (=0) (Fig. 2).

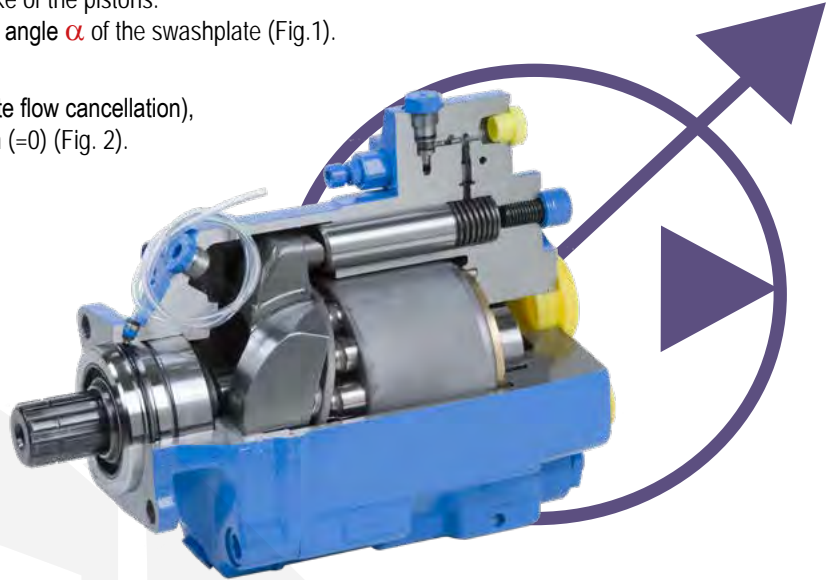


Figure 1 - Maximum displacement

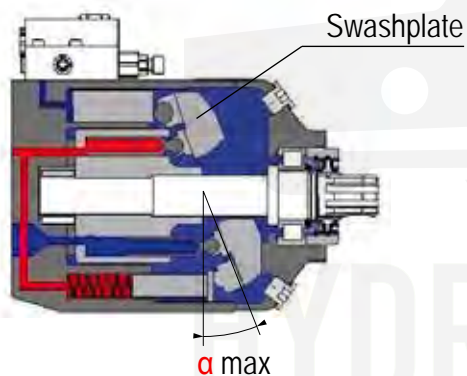
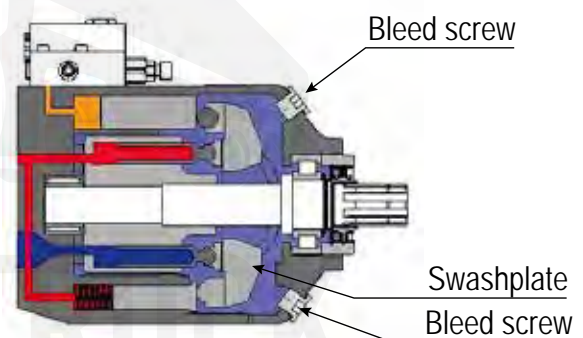
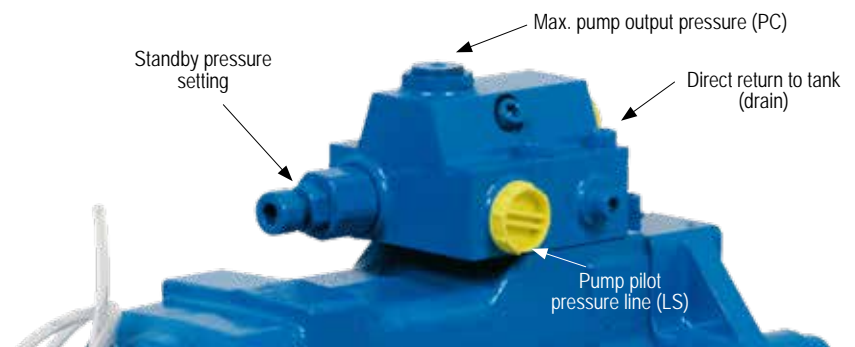
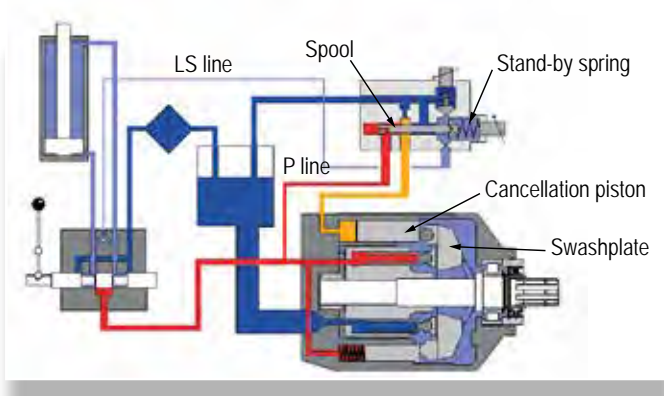


Figure 2 - zero displacement



- ▶ Setting the servo pump.

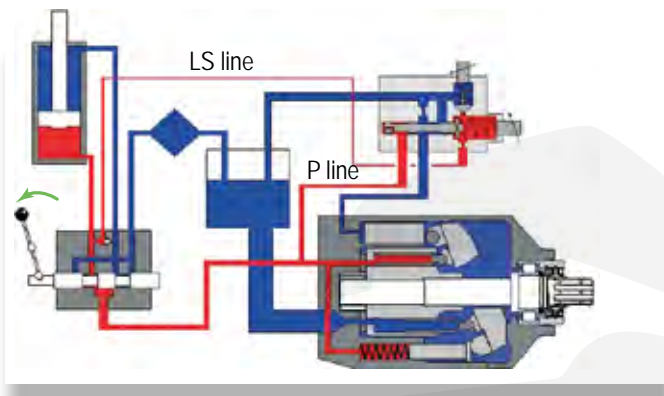




► Zero flow (standby)

The proportional valve is closed.
The pressure in the P line increases until it reaches the value at which the standby spring is set.

Under the pressure in the P line, the spool moves and oil flow supplies the setting piston which moves the swashplate into vertical position (angle $\alpha = 0$): no flow, but standby pressure is maintained. The pump stays in standby mode.



► Full flow

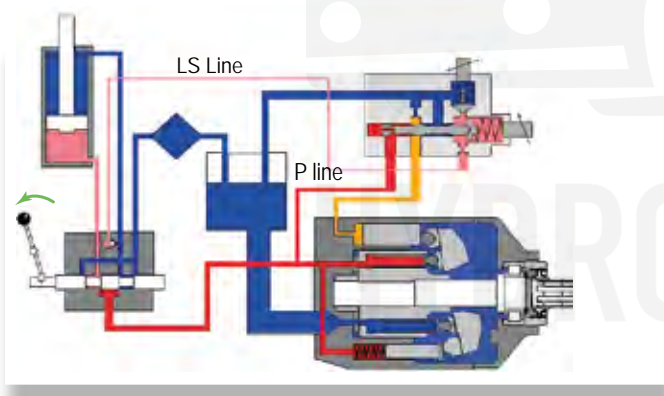
The proportional valve is fully open, allowing passage of pump flow.
The pressure in the LS line is the same as in the P line.

Hydraulic pressure is the same on either side of the spool.

The standby spring holds the spool in its closed position.

The cancellation piston is not supplied with oil.

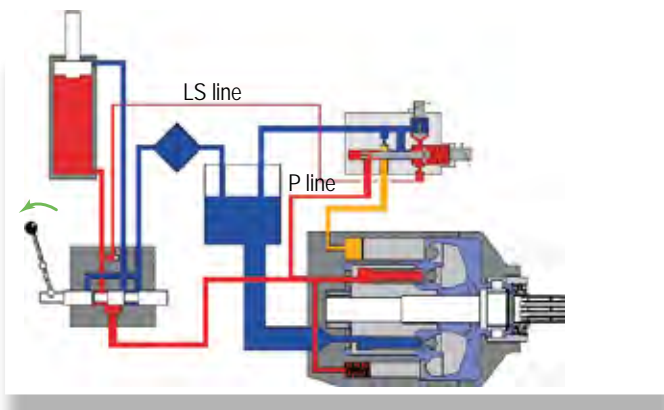
The swashplate is at maximum angle α : the pump is at full displacement.



► Flow control

As soon as the proportional valve tends to reduce the flow requested by the user, the pressure drop created allows the pump displacement setting piston to be piloted.

This setting piston automatically adjusts pump displacement to match the order given by the proportional valve.



► Zero flow (maximum pressure)

This is the case for example of a cylinder which arrives at a mechanical stop. The proportional valve is still open.

The pressure of the cylinder at a mechanical stop is sensed by the pump pressure relief valve which opens at the set pressure (PC).

This allows the pump displacement setting piston to be supplied and the pump sets itself to a displacement just sufficient to maintain the circuit pressure.



TXV pumps are available in 11 models from 40 to 150 cc/rev maximum displacement.

Pump reference	Direction of rotation	Maximum displac. ⁽¹⁾ (cc/rev)	Max. operating pressure (bar)	Max. peak pressure (intermittent: 5%) (bar)	Torque at 300 bar ⁽²⁾ (N.m)	Max. speed at full displacement ⁽³⁾ rpm	Max. speed in stand-by rpm	Weight (kg)	Overhang torque ⁽⁴⁾ (N.m)
TXV 40	0512950	CW	40	400	420	225	3000	26	34
	0512955	CCW							
TXV 60	0512500	CW	60	400	420	335	2600	26	34
	0512505	CCW							
TXV 75	0512510	CW	75	400	420	420	2000	26	34
	0512515	CCW							
TXV 92	0512520	CW	92	400	420	515	1900	26	34
	0512525	CCW							
TXV 120	0515700	CW	120	380	400	675	2100	26	34
	0515705	CCW							
TXV 130	0515300	CW	130	365	380	730	2100	28,2	38,6
	0515515	CCW							
TXV 150	0518600	CW	150	310	330	840	2000	28,2	38,6
	0518605	CCW							
TXV 130 <i>indexable</i>	P001474	CW/CCW	130	365	380	730	1750	29,3	42
TXV 150 <i>indexable</i>	P001475	CW/CCW	150	310	330	840	1750	29,3	42

► Standard pump range

► With through shaft*

TXV 130	0518700 0518705	CW CCW	130	365	380	730	1900	3000	31,1	47,4
---------	--------------------	-----------	-----	-----	-----	-----	------	------	------	------

* For TXV 130 through shaft available with max displacement set at : 65-75-85-95-100-110 - other specific set (on request)

(1) TXV pumps can be set for smaller maximum displacements (see page 41).

(2) For a mechanical efficiency at 85%.

(3) Higher speed - at full displacement - possible depending on flow required : please contact us.

Viscosity affects maximum possible rotating speed. If viscosity > 400 cSt, please contact us to obtain corresponding speed possibilities.

indexable series: see pages 34 and 35.

(4) Value of the overhang torque of the only pump.

► Calculation of power to be supplied to the shaft as a function of flow and pressure

$$P = \frac{\Delta P \times Q}{600 \times \eta_{\text{global}}}$$

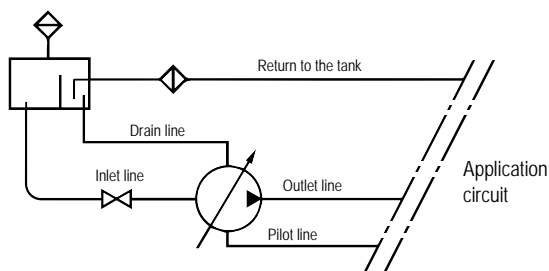
Calculation of torque to determine PTO,
as a function of the displacement and the pressure

$$C = \frac{\text{Cyl} \times \Delta P}{62.8 \times \eta_{\text{meca}}}$$

With:

P	=	Hydraulic power in kW
ΔP	=	Differential pressure in bar
Q	=	Flow in l/min
C	=	Torque in N.m
Cyl	=	Displacement in cc/rev
η_{meca}	=	Mechanical efficiency
η_{global}	=	Mechanical efficiency + volumetric efficiency

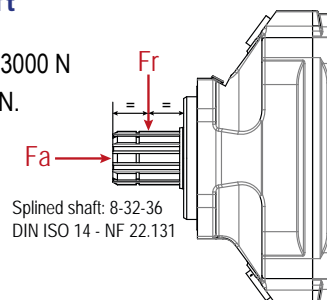
► Ideal installation



► Force on pump shaft

Fr : Acceptable max. radial force = 3000 N

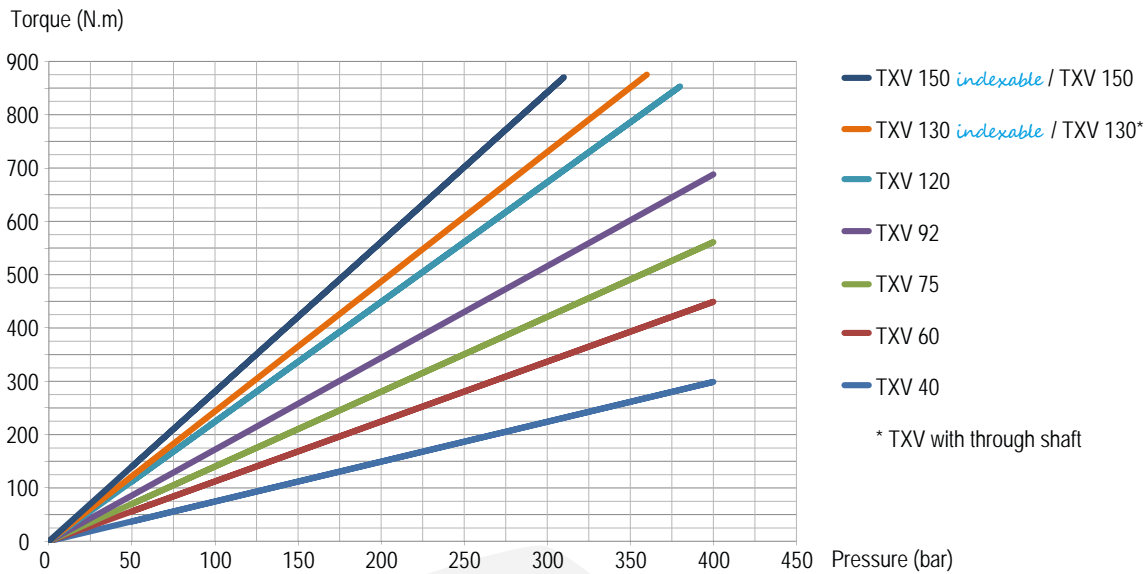
Fa : Acceptable axial force = 1600 N.



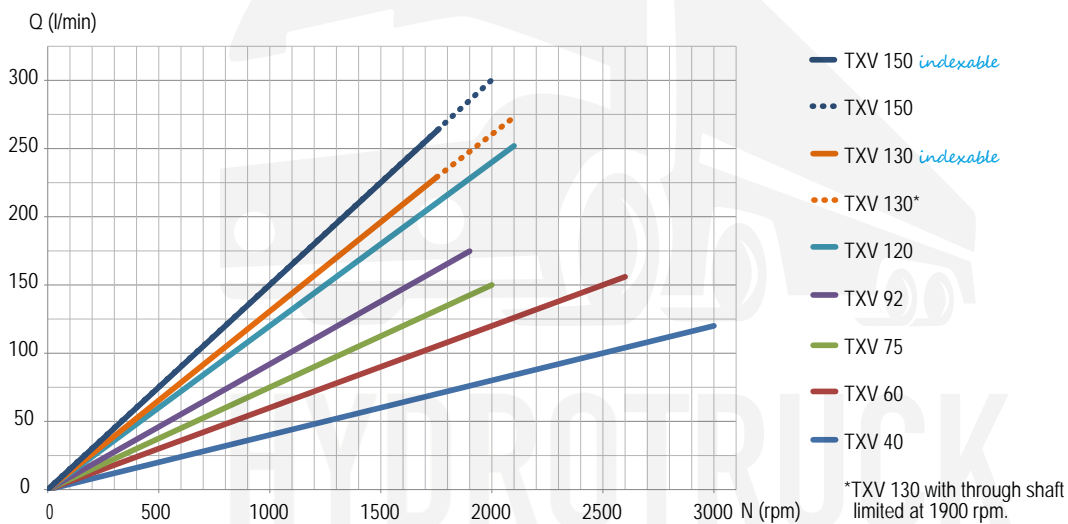
www.hydrotruck-cerpadla.cz
info@hydrotruck.cz

Hydrotruck s.r.o.
Tovačovská 3457/4a
750 02, Přerov
Česká republika

► Torque absorbed as a function of pump output pressure (with a mechanical efficiency considered at 85%)



► Flow as a function of rotating speed

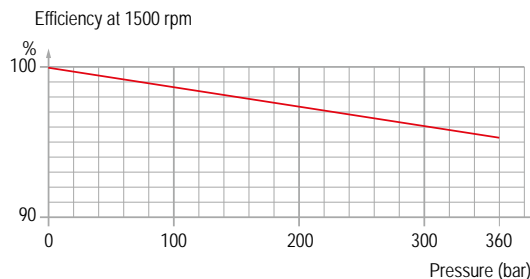


⚠ Attention: the TXV indexables pumps are limited at 1750 rpm maximum.

Flow as a function of speed, with pump in maximum displacement position and oil level in tank above the pump.

These graphs are the results of testwork done in HYDRO LEDUC R&D laboratory, on a specific test bench with a mineral hydraulic fluid ISO VG46 at 25°C (~100 cSt) - disregarding the volumetric efficiency.

► Volumetric efficiency

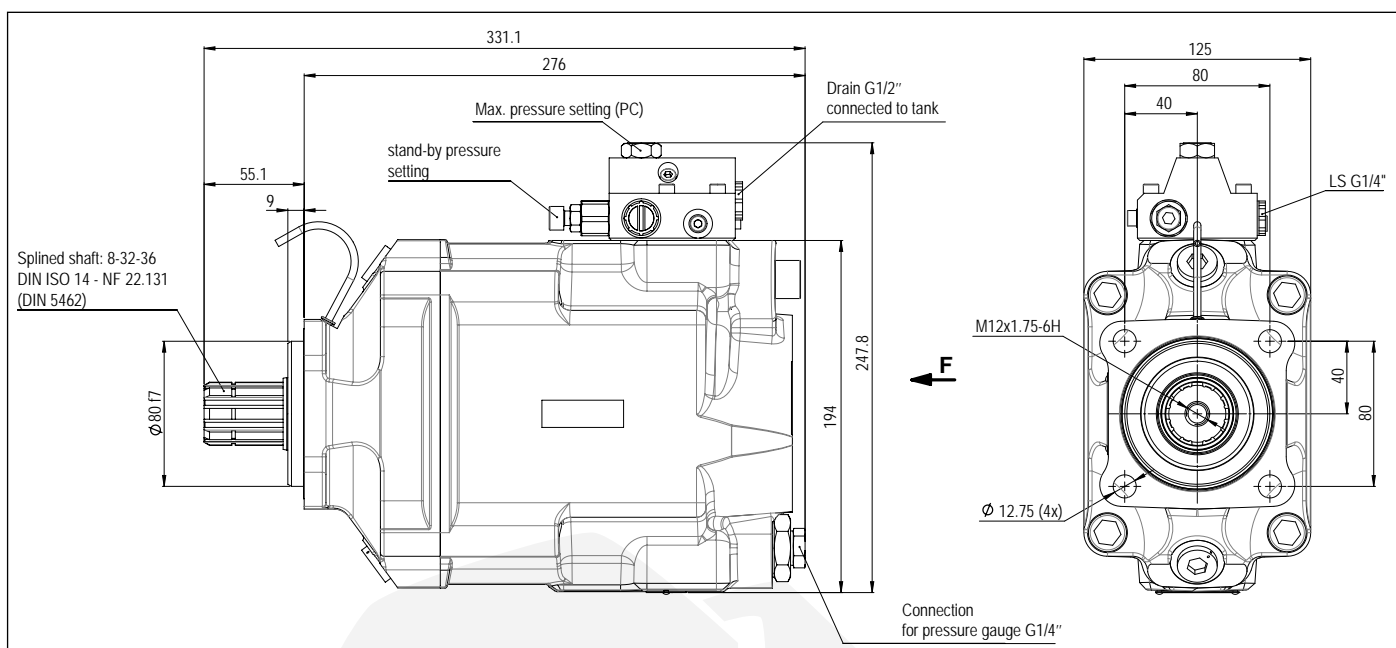


www.hydrotruck-cerpadla.cz
info@hydrotruck.cz

Hydrotruck s.r.o.
 Tovačovská 3457/4a
 750 02, Přerov
 Česká republika



TXV 40 TO 120



Dimensions in mm.

► TXV connections

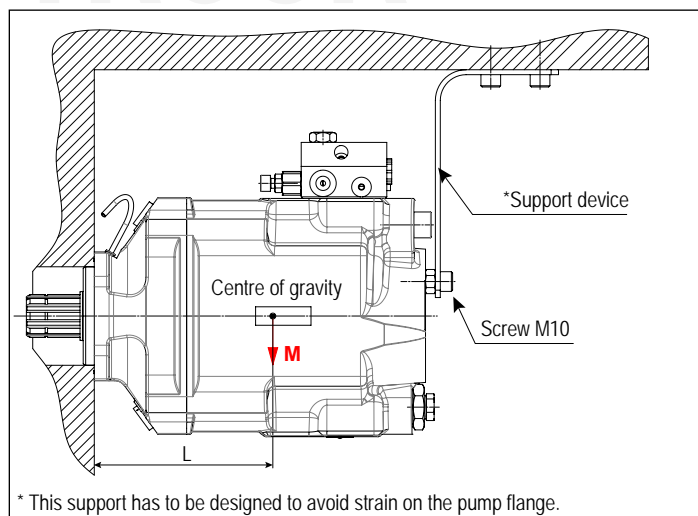
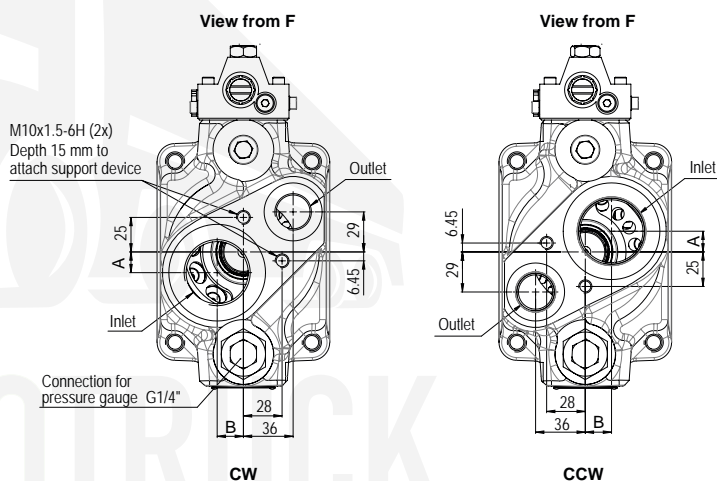
Pump reference	Outlet	Inlet	A	B
	(\varnothing)	(\varnothing)	(mm)	(mm)
TXV 40 to 92	G 3/4"	G 1 1/2"	15	19
TXV 120	G 1"		6	23.57

► Support device

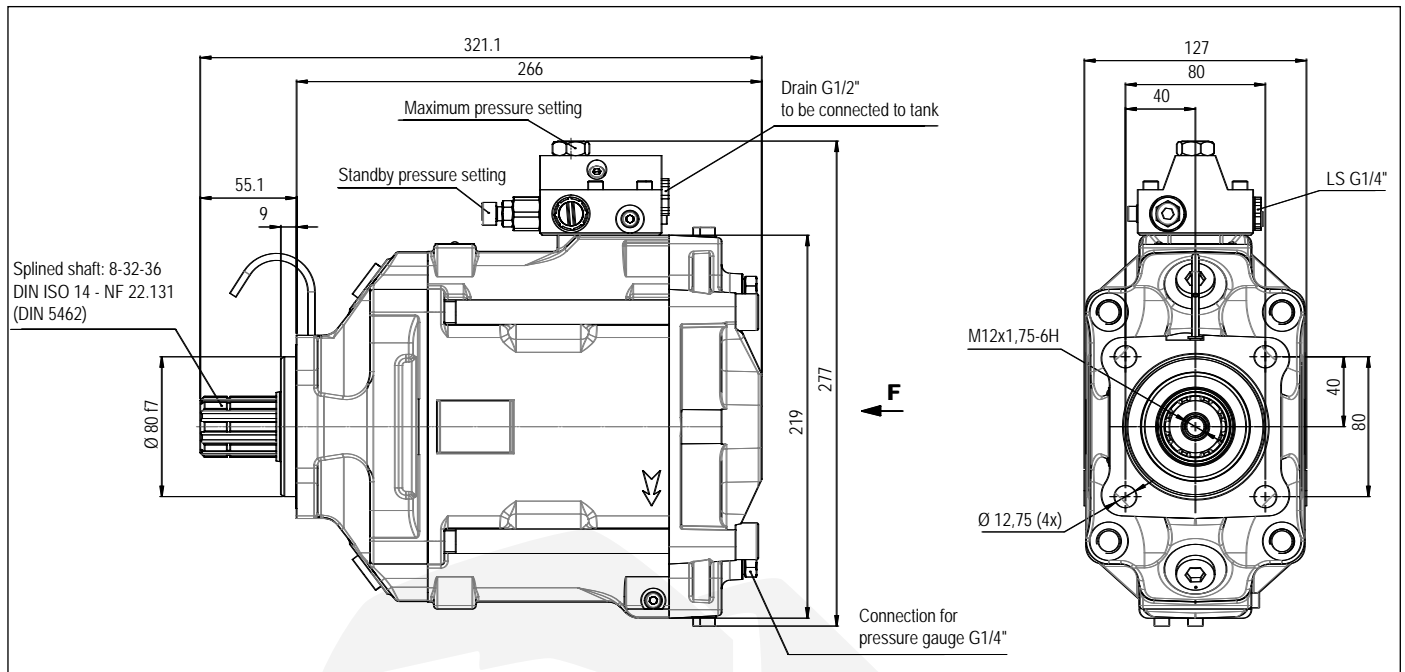
In cases where it is necessary to use a support device (overhang torque) for the pump, this must be fixed to the same part which the pump is mounted on.

► Mass and position of centre of gravity

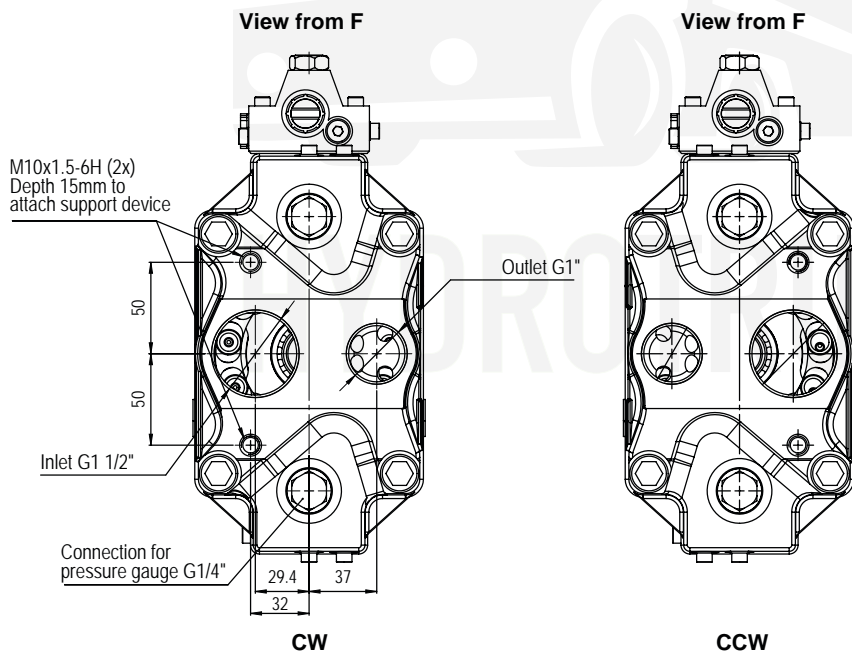
Pump type	L (mm)	Weight (kg)	Overhang torque (N.m)
TXV 40 to 92	130	26	34
TXV 120	130	26	34
TXV 130 and TXV 150	128	28.2	38.6
TXV 130 and TXV 150 <i>indexable</i>	128	29.3	42
TXV 130 with through shaft	152.6	31.1	47.4



TXV 150



Dimensions in mm.



www.hydrotruck-cerpadla.cz
info@hydrotruck.cz

Hydrotruck s.r.o.
 Tovačovská 3457/4a
 750 02, Přerov
 Česká republika



TXV 130 THROUGH SHAFT PUMP

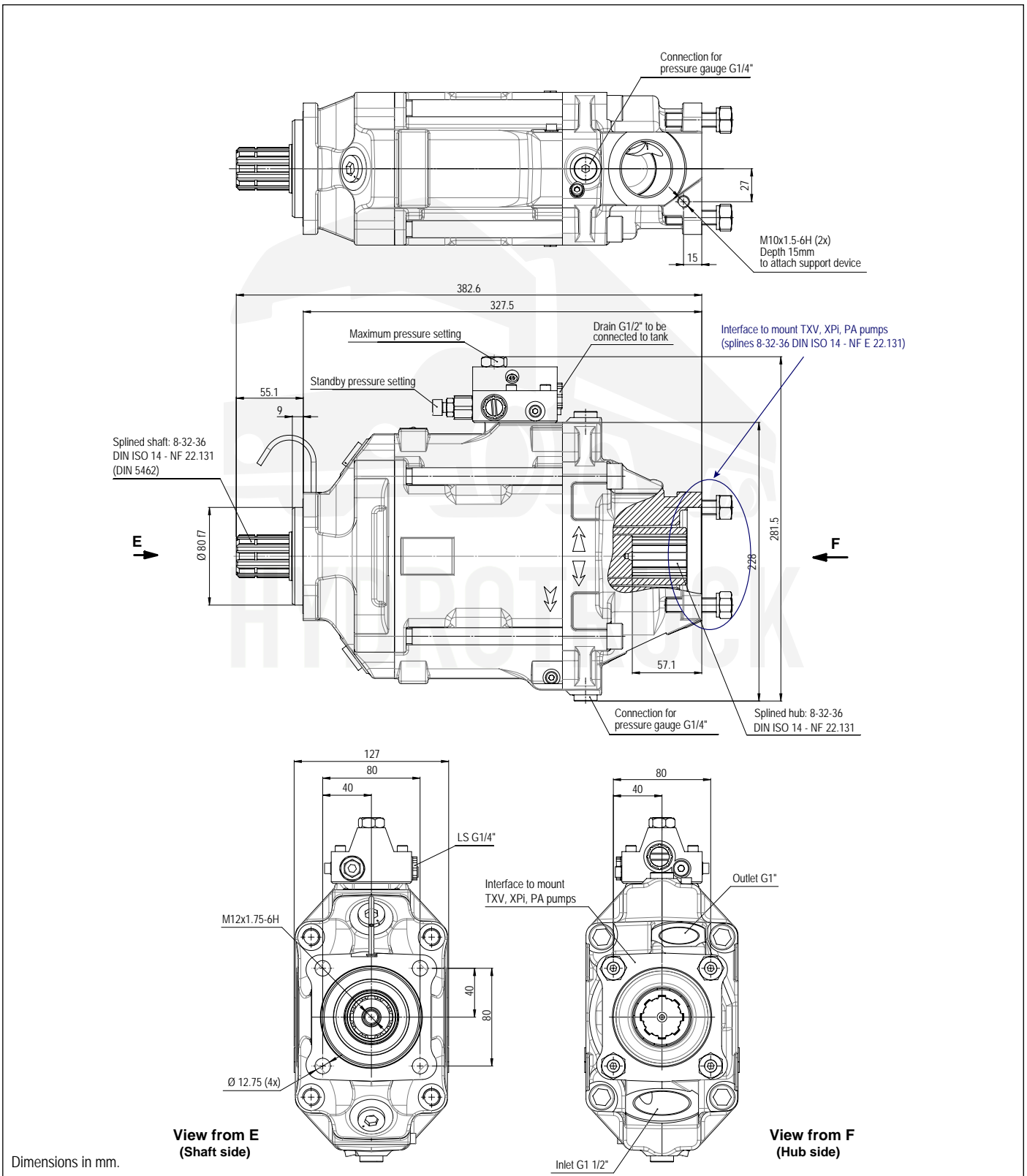
The TXV 130 pump exists in a "through shaft" version.

With side porting for inlet and output, this "through shaft" TXV 130 configuration means any LEDUC TXV pump, or fixed displacement XPI or PA pump, can be mounted on the back.

The maximum displacement of the "through shaft" TXV 130 can be factory set, on request, between 60 and 110 cc/rev on request.

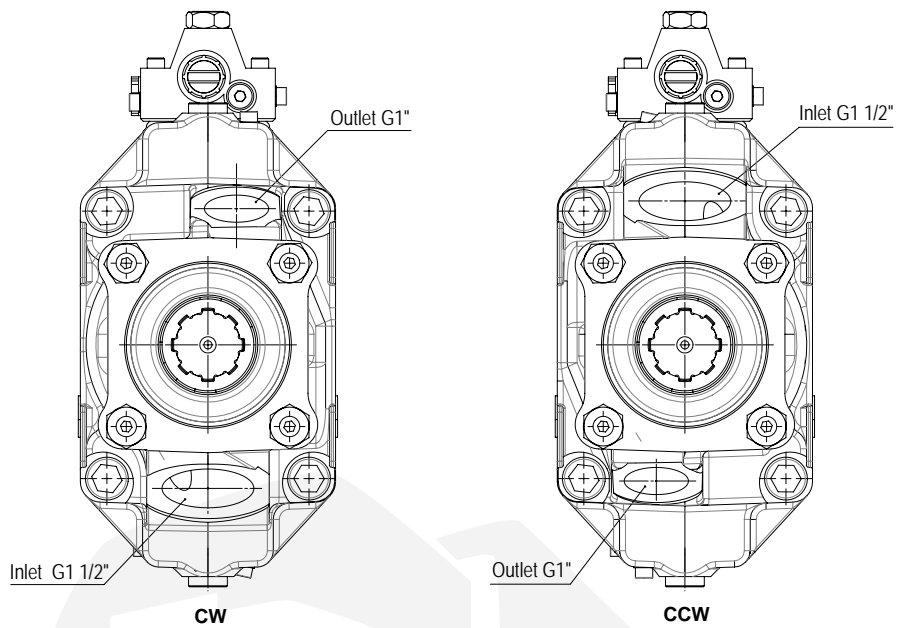
It is important to check that maximum torque to be transmitted by the shaft of the "through shaft" TXV 130 does not exceed 900 N.m.

A flange must be used when using the pump alone (see page 39).



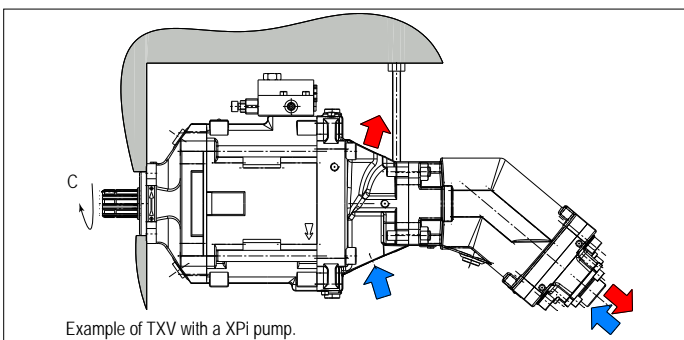
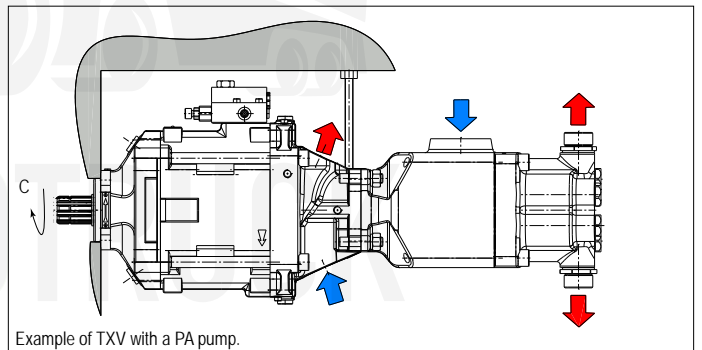
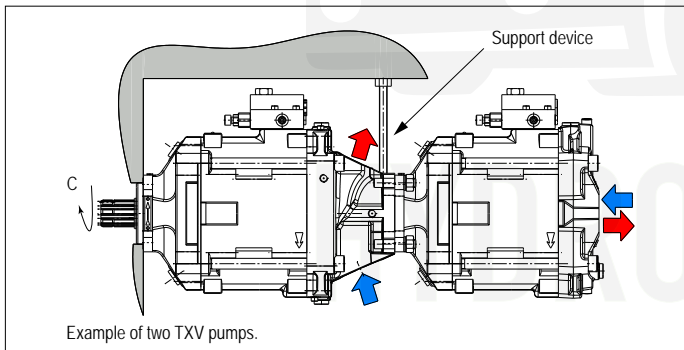
TXV 130 THROUGH SHAFT PUMP

View from F (see p.30)



► **Support device**

The support device for the pump must be fixed to the same part which the pump is mounted on (see diagram below) and has to be designed to avoid strain on the pump flange.



Maximum torque transferable by the shaft of the pump driven by the PTO:

$$C = 900 \text{ N.m}$$

That is, the sum of torque for both pumps must be < 900 N.m.

Please consult our Technical Department for advice regarding your installations.



www.hydrotruck-cerpadla.cz
info@hydrotruck.cz

Hydrotruck s.r.o.
 Tovačovská 3457/4a
 750 02, Přerov
 Česká republika