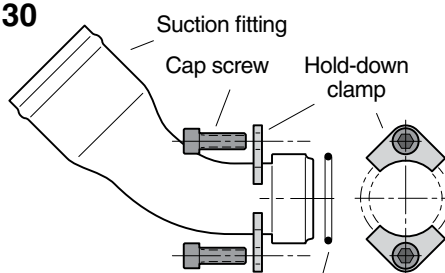


# Suction fittings

for series F1, F2 and T1 pumps also VP1-095, -110 and -130

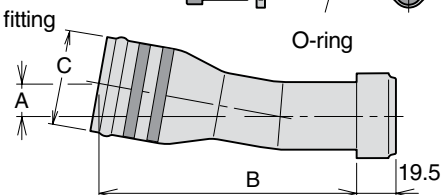
A 'suction fitting' consists of a straight, 45°, 90° or 135° suction fitting, clamps, cap screws and O-ring.



**NOTE:** A suction fitting *must be ordered separately* (not included with the pump).  
**To choose the correct dimension of suction connection, see chapter 2.**

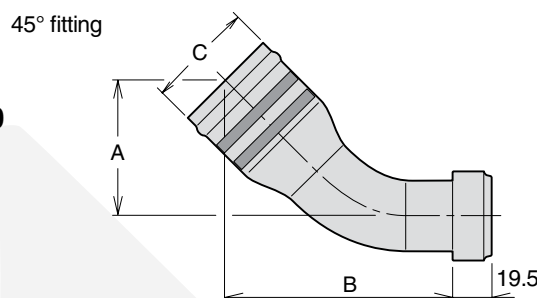
**Suctions fittings for VP1-045/060/075 see page 57.**

**'Straight' suction fittings for F1, T1, F2, F3, VP1-095/-110/-130**



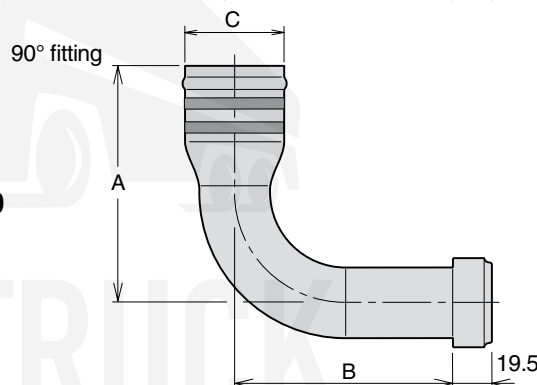
| Ordering no.           | A mm | B mm | C dia. mm (in.) |
|------------------------|------|------|-----------------|
| 378 0635 <sup>1)</sup> | 0    | 85   | 38 (1 1/2")     |
| 378 0636 <sup>2)</sup> | 17   | 136  | 50 (2")         |
| 378 0637 <sup>3)</sup> | 25   | 145  | 63 (2 1/2")     |
| 378 3523 <sup>3)</sup> | 32   | 174  | 75 (3")         |

**45° suction fittings for F1, T1, F2, F3, VP1-095/-110/-130**



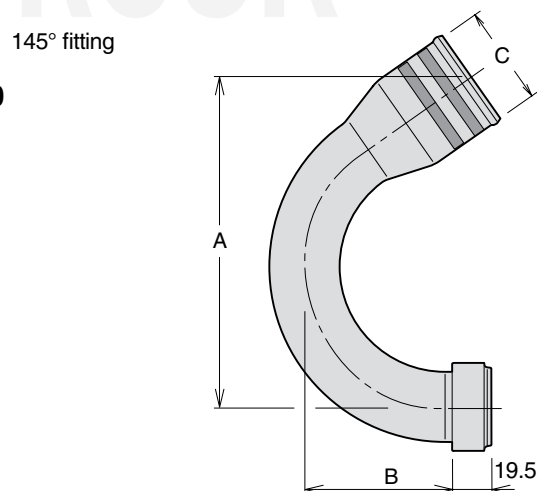
| Ordering no.           | A mm | B mm | C dia. mm (in.) |
|------------------------|------|------|-----------------|
| 378 1234 <sup>1)</sup> | 60   | 104  | 32 (1 1/4")     |
| 378 0633 <sup>1)</sup> | 60   | 104  | 38 (1 1/2")     |
| 378 0364 <sup>2)</sup> | 67   | 110  | 50 (2")         |
| 378 0634 <sup>3)</sup> | 75   | 117  | 63 (2 1/2")     |
| 378 3367 <sup>3)</sup> | 95   | 138  | 75 (3")         |
| 378 1062               | 67   | 110  | 40              |
| 378 0975               | 67   | 110  | 45              |

**90° suction fittings for F1, T1, F2, F3, VP1-095/-110/-130**



| Ordering no.           | A mm | B mm | C dia. mm (in.) |
|------------------------|------|------|-----------------|
| 378 0978 <sup>1)</sup> | 126  | 83   | 38 (1 1/2")     |
| 378 0979 <sup>2)</sup> | 135  | 83   | 50 (2")         |
| 378 1980 <sup>3)</sup> | 147  | 83   | 63 (2 1/2")     |
| 378 0976               | 135  | 83   | 45              |
| 378 8690 <sup>3)</sup> | 185  | 83   | 75 (3")         |

**145° suction fitting for F1, T1, F2, F3, VP1-095/-110/-130**



| Ordering no. | A mm | B mm | C dia. mm (in.) |
|--------------|------|------|-----------------|
| 378 1867     | 165  | 73   | 50 (2")         |

- 1) Recommended for frame size F1-25.
- 2) Recommended for frame size F1-41,-51,-61,-81, -101.
- 3) (3 clamps and 3 screws)

## Spare parts

Additional Hold-down-clamp kit consists of:

hold-down-clamp cap screw and O-ring

Ordering no. 378 1321

Additional Hold-down-clamp kit for mounting on BPV

Ordering no. 378 2439



[www.hydrotruck-cerpadla.cz](http://www.hydrotruck-cerpadla.cz)  
[info@hydrotruck.cz](mailto:info@hydrotruck.cz)

Hydrotruck s.r.o.  
 Tovačovská 3457/4a  
 750 02, Přerov  
 Česká republika