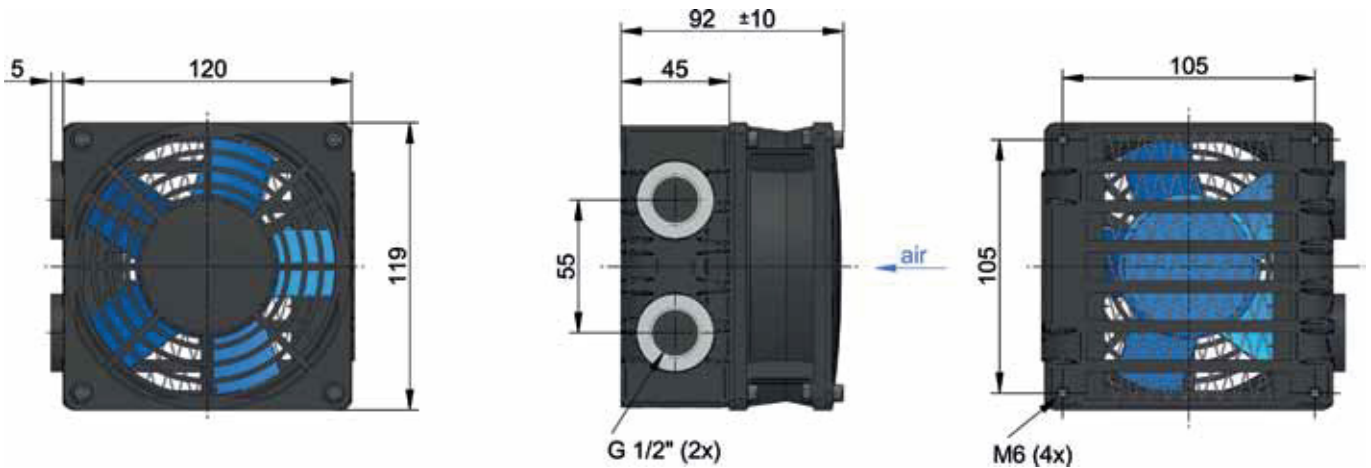


LowLine LL 01 Oil / Air Cooler

12V / 24V DC



Technical Data

order number	description	power	current	protection level	air flow	noise level	weight
		[kW]	[A]		[kg/s]	[dB(A)]	[kg]
ASA0013GD01	LL 01 12V DC	0,04	0,31	IP 20	0,033	44	1,4
ASA0013GD02	LL 01 24V DC	0,04	0,15	IP 20	0,033	44	1,4

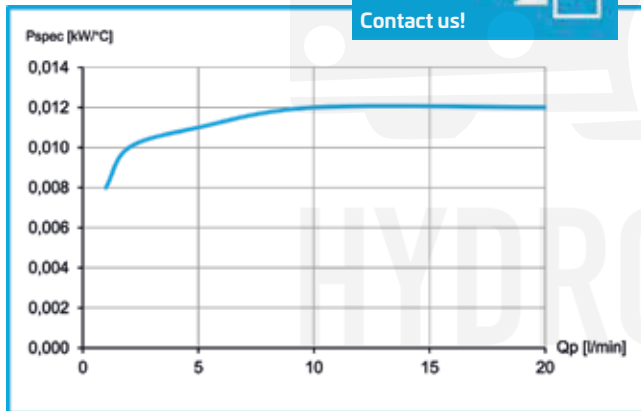
Performance

specific cooling performance

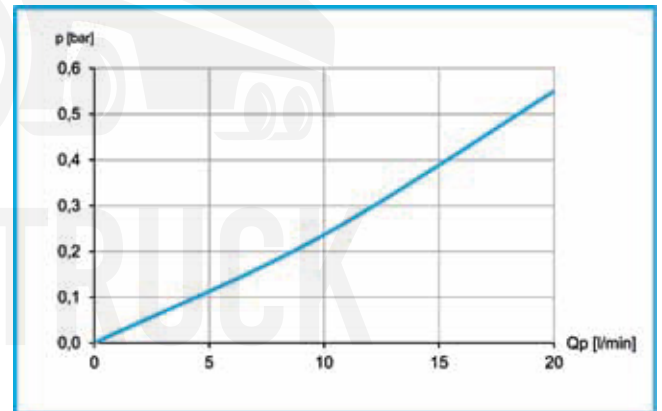
all products
water/glycol
compatibel



Contact us!



pressure drop at 30cSt



Radiator Style A

material:	aluminium
working temperature range:	-20°C to +100°C (oil temperature)
air fin shape:	wavy
working pressure:	26 bar (static)



www.hydrotruck.cz
info@hydrotruck.cz

Hydrotruck s.r.o.
Tovačovská 3457/4a
750 02, Přerov
Česká republika