

**SCPD 76/76 DIN is a dual flow pump with two separate flows of equal sizes.**

SCPD 76/76 DIN gives a maximum flow of  $128 + 128 = 256$  lit/min and supports a maximum working pressure of 350 bar. It can effectively be directly mounted on gear boxes equipped with engageable and disengageable power take-offs.

SCPD 76/76 is a modern, compact pump, which meets the market's high demands on flow performance, pressure, efficiency and small installation dimensions.

It is speed optimized and therefore supplied for either left (L) or right (R) rotation direction.

**Other advantages:**

- Large displacement gives the possibility of low engine speeds and low noise levels.
- Long life due to high demands on material selection, such as bearings, seals, etc.
- O-rings on all contact surfaces as well as double shaft seals eliminate oil leakage from the pump and power takeoff.
- Highest displacement-to-size-ratio on the market.

## Versions, main data

Example

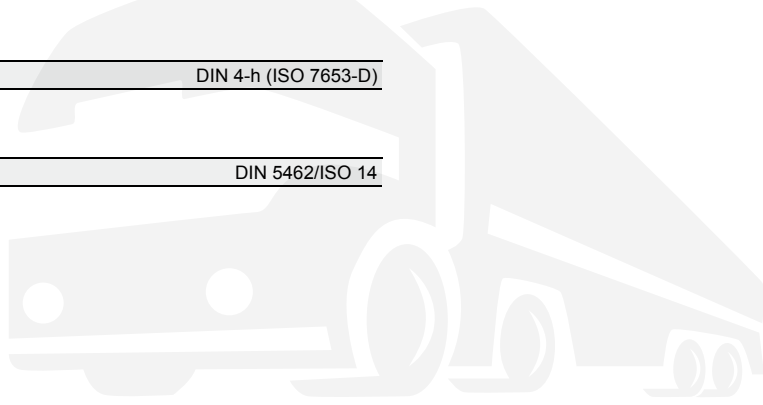
SC	PD	-	76/76	L	-	N	-	DL4	-	L35	-	S0	S	-	2	00
Line	1		2	3		4		5		6		7	8		9	10

Line	SC	Sunfab Compact, bent-axis design	7. Connection cover	S0	Sunfab standard
1. Type	PD	Dual flow pump	8. Connections	S	Sunfab standard
2. Displacement		76/76	9. Additional	2	Optimised
3. Direction of rotation	L	Left	10. Accessories	00	No accessories available
	R	Right			
4. Sealing	N	Nitrile			
5. Mounting flange	DL4	DIN 4-h (ISO 7653-D)			
6. Shaft	L35	DIN 5462/ISO 14			

X = Standard, preferred

(X) = Available, option

O = Contact Sunfab



# HYDROTRUCK

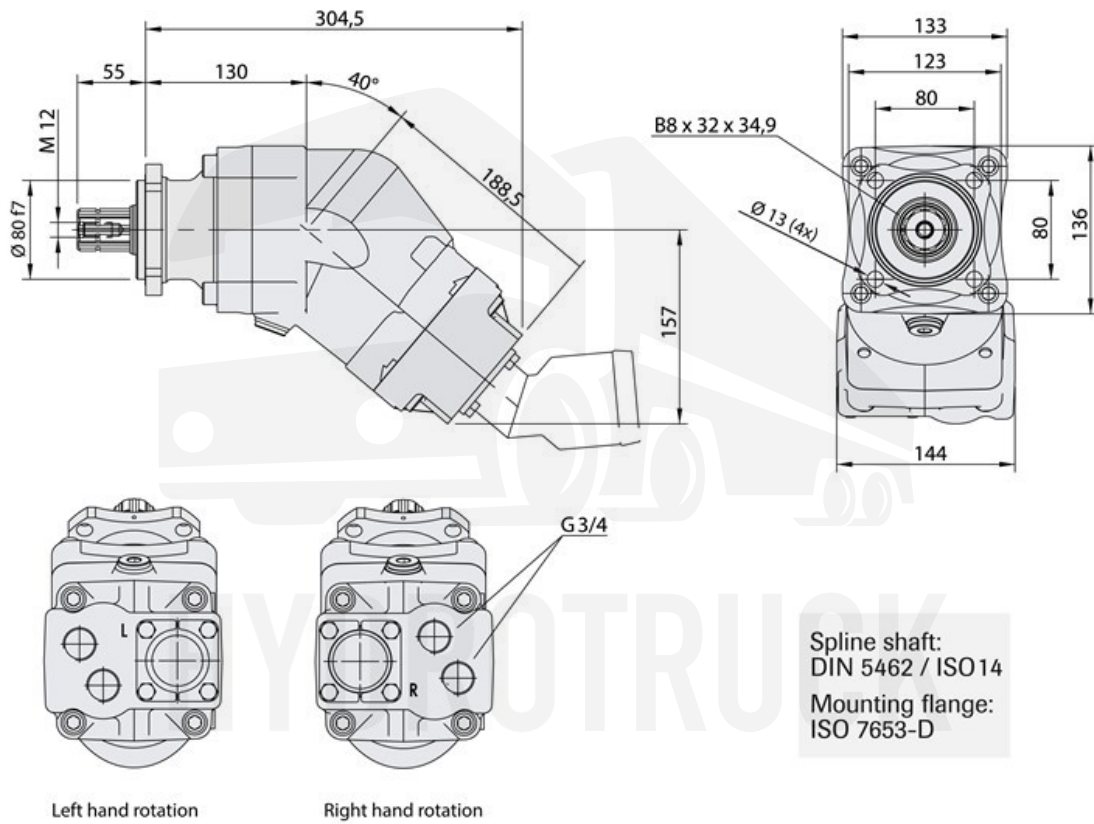


[www.hydrotruck-cerpadla.cz](http://www.hydrotruck-cerpadla.cz)  
[info@hydrotruck.cz](mailto:info@hydrotruck.cz)

Hydrotruck s.r.o.  
 Tovačovská 3457/4a  
 750 02, Přerov  
 Česká republika

**SCPD 76/76 DIN**

Theoretical oil flow A+B at pump speed	rpm	1000*	l/min		
		1500	75 + 75 = 150		
			113 + 113 = 226		
Displacement A+B	cm <sup>3</sup> /rev	75 + 75			
Max pump speed continuous	rpm	1500			
limited		1700			
Max working pressure	bar	350			
Weight	kg	23.2			
Tare-weight torque (M)	Nm	34.5			
Theoretical power at pressure and pump speed	rpm		200 Bar	250 Bar	350 Bar
		1000*	25.0 + 25.0 = 50.0 kW	31.3 + 31.3 = 62.6 kW	43.8 + 43.8 = 87.6 kW
	1500	37.5 + 37.5 = 75 kW	46.9 + 46.9 = 93.8 kW	65.6 + 65.6 = 131.2 kW	





**WARNING!**

When the pump is running:

1. Do not touch the pressure hose
2. Watch out for rotating parts
3. The pump and hoses may be hot

Sunfab reserves the right to make changes in design and dimensions without notice. Printing and typesetting errors reserved.

© Copyright 2021 Sunfab Hydraulics AB. All Rights Reserved.



[www.hydrotruck-cerpadla.cz](http://www.hydrotruck-cerpadla.cz)  
[info@hydrotruck.cz](mailto:info@hydrotruck.cz)

Hydrotruck s.r.o.  
Tovačovská 3457/4a  
750 02, Přerov  
Česká republika