

SERBATOI OLIO / GASOLIO OIL / FUEL TANKS

Tipo / Type
KOMBI Q (625x680)

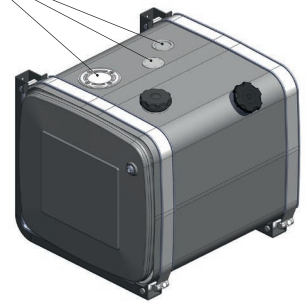
Le piastre cieche sono fornite di serie.

The blank flanges are provided included in the standard equipment.



ALLUMINIO / ALUMINIUM			
Capacità nominale Filling capacity		Codice serbatoio Tank code	Peso Weight Kg
Olio Oil	Gasolio Fuel		
130 + 140		HFALBQ07020	49,1
150 + 160		HFALBQ08020	50,1
160 + 210		HFALBQ09520	53,2
170 + 260		HFALBQ11020	55,7
170 + 320		HFALBQ12520	58,2
200 + 400		HFALBQ15620	63,3
200 + 485		HFALBQ17520	66,5
250 + 550		HFALBQ20020	70,6

ACCIAIO VERNICIATO COATED STEEL (RAL 7021)			
Capacità nominale Filling capacity		Codice serbatoio Tank code	Peso Weight Kg
Olio Oil	Gasolio Fuel		
130 + 140		HFGLBQ07020	85,0
150 + 160		HFGLBQ08020	87,9
160 + 210		HFGLBQ09520	97,0
170 + 260		HFGLBQ11020	104,2
170 + 320		HFGLBQ12520	111,4
200 + 400		HFGLBQ15620	126,1
200 + 485		HFGLBQ17520	135,4
250 + 550		HFGLBQ20020	147,2

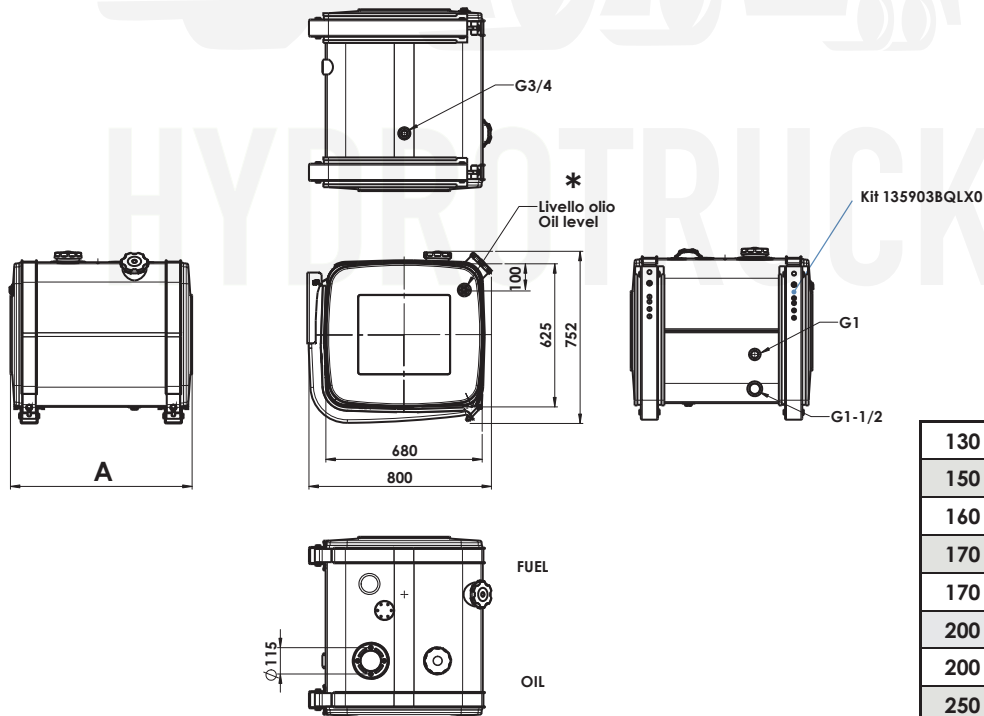


I serbatoi da 270 a 600 lt sono forniti di serie con kit di fissaggio a 2 supporti
270 and 600 lt tanks are supplied with fixation kit having 2 brackets included

I serbatoi da 685 e 800 lt sono forniti di serie con kit di fissaggio a 3 supporti
685 and 800 lt tanks are supplied with fixation kit having 3 brackets included

I serbatoi Misti per olio idraulico e gasolio della serie KOMBI sono la soluzione ai problemi di spazio e peso che con sempre maggior frequenza si presentano spesso sui veicoli attuali. Essi infatti integrano al proprio interno un serbatoio gasolio ed un serbatoio olio separati mediante una paratia stagna. Questi serbatoi sono progettati e costruiti secondo specifiche costantemente aggiornate, sfruttando le tecnologie più evolute e utilizzando materie prime di altissima qualità. Al termine del processo produttivo vengono sottoposti a due successivi collaudi a pressione per garantirne la perfetta efficienza. Tutta la gamma è fornita con OMOLOGAZIONE ONU-ECE 34 E3 riconosciuta in tutti i paesi aderenti alle Nazioni Unite. La loro dotazione tecnica di base garantisce grande flessibilità d'impiego oltre ad una notevolissima facilità d'installazione.

The combi-tanks for hydraulic oil and fuel of the series KOMBI are the solution to the problems of space and weight that with always increasing frequency is present on actual vehicles. They integrate inside a fuel and an oil tank separated through a watertight baffle. These reservoirs are projected and manufactured according to constantly updated specifications, exploiting the most evolved technologies and employing highest quality raw materials. At the end of the manufacturing process they are submitted to two different pressure tests to guarantee them a perfect efficiency. The whole range is provided with ONU-ECE 34 E3 APPROVAL, recognised in all the countries adherent to the United Nations. Their technical basic endowment guarantees great flexibility of employment over to a notable facility of installation.



	Capacità fino a livello olio Capacity until oil level indicator	* A mm
130 + 140	105	700
150 + 160	130	800
160 + 210	130	950
170 + 260	150	1100
170 + 320	145	1250
200 + 400	165	1560
200 + 485	165	1750
250 + 550	215	2000

11801300103 : TAPPO DI RIEMPIMENTO / FILLER CAP
Già compreso nel serbatoio. Solo per ricambi
Already included with the tank. Only for spare part



50900400105: LIVELLO OLIO / OIL LEVEL
Già compreso nel serbatoio. Solo per ricambi
Already included with the tank. Only for spare part



KOMBI Q

Ricambi / Spare parts

R1		R1	538200BQ1X1	Fascia inox fissaggio serbatoio Stainless steel strap for oil tank
R2		R2	13599030332	Antivibrante in PVC protezione fascia inox / PVC protection for oil tank strap
R3		R3	13599000712	Antivibrante Protection
R4		R4	538205BQLG4	Staffe supporto Mounting brackets
R5		R5	52600100344	Spinotto Pin
R6		R6	50500500148	Dado M12 Nut

Gruppo pescante/livello tipo ORIGINALE Fuel intake ORIGINAL type



Costruttore/OEM	Codice/Code
IVECO	118-023-05103
MERCEDES BENZ	118-023-05303
VOLVO-RVI	118-023-05203
MAN	118-023-05403
SCANIA	118-023-05503
DAF	118-023-05603

Filtro e piastra di chiusura predisposta per il montaggio della valvola/Filter and mounting flange for tipping valve

	CAPACITA' SERBATOIO TANK CAPACITY	FLANGIA FLANGE	VALVOLA VALVE	PIASTRA X VALVOLA VALVE MOUNTING PLATE
	Vedi tab. See tab.			FM / FP 80 Modular 150 AL
Modular 150 AL Modular 250				121-994-00226
FILTRO / FILTER				
118-001-12176 25 µm				Filtri immersi Submerged filters
118-001-11177 60 µm				

Filtro flangiato senza possibilità di montare valvole / Filter without mounting flange for tipping valves

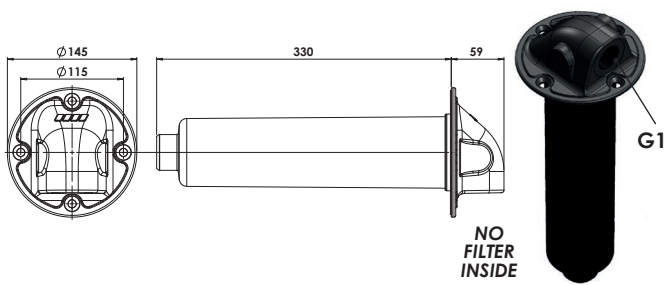
		<table border="1"> <tbody> <tr> <td>Acciaio / Steel 90 µm</td> <td>G 3/4</td> <td>90 L</td> <td>118-001-00358</td> </tr> <tr> <td>Acciaio / Steel 90 µm</td> <td>G 1</td> <td>105 L</td> <td>118-001-00401</td> </tr> <tr> <td>Acciaio / Steel 60 µm</td> <td>G 3/4</td> <td>85 L</td> <td>118-001-01357</td> </tr> <tr> <td>Acciaio / Steel 60 µm</td> <td>G 1</td> <td>100 L</td> <td>118-001-01400</td> </tr> <tr> <td>Acciaio / Steel 60 µm</td> <td>G 1</td> <td>145 L</td> <td>118-001-01437</td> </tr> <tr> <td>Acciaio / Steel 60 µm</td> <td>G 1</td> <td>170 L</td> <td>118-001-01446</td> </tr> <tr> <td>Acciaio / Steel 60 µm</td> <td>G 1 1/4</td> <td>170 L</td> <td>118-001-01455</td> </tr> <tr> <td>Acciaio / Steel 60 µm</td> <td>G 1</td> <td>200 L</td> <td>118-001-01482</td> </tr> <tr> <td>Cellulosa rinforzata Reinforced cellulose 25 µm</td> <td>G 3/4</td> <td>75 L</td> <td>118-001-02356</td> </tr> <tr> <td>Cellulosa rinforzata Reinforced cellulose 25 µm</td> <td>G 1</td> <td>100 L</td> <td>118-001-02409</td> </tr> <tr> <td>Cellulosa rinforzata Reinforced cellulose 25 µm</td> <td>G 1</td> <td>160 L</td> <td>118-001-02436</td> </tr> <tr> <td>Cellulosa rinforzata Reinforced cellulose 25 µm</td> <td>G 1</td> <td>175 L</td> <td>118-001-02445</td> </tr> <tr> <td>Cellulosa rinforzata Reinforced cellulose 25 µm</td> <td>G 1 1/4</td> <td>175 L</td> <td>118-001-02454</td> </tr> <tr> <td>Microfibra Micro-fibre glass 25 µm</td> <td>G 3/4</td> <td>55 L</td> <td>118-001-04354</td> </tr> <tr> <td>Microfibra Micro-fibre glass 25 µm</td> <td>G 1</td> <td>75 L</td> <td>118-001-04407</td> </tr> <tr> <td>Cellulosa rinforzata Reinforced cellulose 10 µm</td> <td>G 3/4</td> <td>55 L</td> <td>118-001-03355</td> </tr> <tr> <td>Cellulosa rinforzata Reinforced cellulose 10 µm</td> <td>G 1</td> <td>75 L</td> <td>118-001-03408</td> </tr> </tbody> </table>				Acciaio / Steel 90 µm	G 3/4	90 L	118-001-00358	Acciaio / Steel 90 µm	G 1	105 L	118-001-00401	Acciaio / Steel 60 µm	G 3/4	85 L	118-001-01357	Acciaio / Steel 60 µm	G 1	100 L	118-001-01400	Acciaio / Steel 60 µm	G 1	145 L	118-001-01437	Acciaio / Steel 60 µm	G 1	170 L	118-001-01446	Acciaio / Steel 60 µm	G 1 1/4	170 L	118-001-01455	Acciaio / Steel 60 µm	G 1	200 L	118-001-01482	Cellulosa rinforzata Reinforced cellulose 25 µm	G 3/4	75 L	118-001-02356	Cellulosa rinforzata Reinforced cellulose 25 µm	G 1	100 L	118-001-02409	Cellulosa rinforzata Reinforced cellulose 25 µm	G 1	160 L	118-001-02436	Cellulosa rinforzata Reinforced cellulose 25 µm	G 1	175 L	118-001-02445	Cellulosa rinforzata Reinforced cellulose 25 µm	G 1 1/4	175 L	118-001-02454	Microfibra Micro-fibre glass 25 µm	G 3/4	55 L	118-001-04354	Microfibra Micro-fibre glass 25 µm	G 1	75 L	118-001-04407	Cellulosa rinforzata Reinforced cellulose 10 µm	G 3/4	55 L	118-001-03355	Cellulosa rinforzata Reinforced cellulose 10 µm	G 1	75 L	118-001-03408
		Acciaio / Steel 90 µm	G 3/4	90 L	118-001-00358																																																																				
Acciaio / Steel 90 µm	G 1	105 L	118-001-00401																																																																						
Acciaio / Steel 60 µm	G 3/4	85 L	118-001-01357																																																																						
Acciaio / Steel 60 µm	G 1	100 L	118-001-01400																																																																						
Acciaio / Steel 60 µm	G 1	145 L	118-001-01437																																																																						
Acciaio / Steel 60 µm	G 1	170 L	118-001-01446																																																																						
Acciaio / Steel 60 µm	G 1 1/4	170 L	118-001-01455																																																																						
Acciaio / Steel 60 µm	G 1	200 L	118-001-01482																																																																						
Cellulosa rinforzata Reinforced cellulose 25 µm	G 3/4	75 L	118-001-02356																																																																						
Cellulosa rinforzata Reinforced cellulose 25 µm	G 1	100 L	118-001-02409																																																																						
Cellulosa rinforzata Reinforced cellulose 25 µm	G 1	160 L	118-001-02436																																																																						
Cellulosa rinforzata Reinforced cellulose 25 µm	G 1	175 L	118-001-02445																																																																						
Cellulosa rinforzata Reinforced cellulose 25 µm	G 1 1/4	175 L	118-001-02454																																																																						
Microfibra Micro-fibre glass 25 µm	G 3/4	55 L	118-001-04354																																																																						
Microfibra Micro-fibre glass 25 µm	G 1	75 L	118-001-04407																																																																						
Cellulosa rinforzata Reinforced cellulose 10 µm	G 3/4	55 L	118-001-03355																																																																						
Cellulosa rinforzata Reinforced cellulose 10 µm	G 1	75 L	118-001-03408																																																																						
		Rete metallica Metallic net 60 µm	G 1 1/4	250 L	118-001-01571																																																																				
		Microfibra Micro-fibre glass 25 µm	G 1 1/4	130 L	118-001-04904																																																																				
		Cellulosa rinforzata Reinforced cellulose 10 µm	G 1 1/4	170 L	118-001-03677																																																																				

Filtro flangiato orientabile senza possibilità di montare valvole / Adjustable filter without mounting flange for tipping valves

		<table border="1"> <tbody> <tr> <td>Rete metallica Metallic net 60 µm</td> <td>G 1 1/4</td> <td>250 L</td> <td>118-001-01571</td> </tr> <tr> <td>Microfibra Micro-fibre glass 25 µm</td> <td>G 1 1/4</td> <td>130 L</td> <td>118-001-04904</td> </tr> <tr> <td>Cellulosa rinforzata Reinforced cellulose 10 µm</td> <td>G 1 1/4</td> <td>170 L</td> <td>118-001-03677</td> </tr> </tbody> </table>				Rete metallica Metallic net 60 µm	G 1 1/4	250 L	118-001-01571	Microfibra Micro-fibre glass 25 µm	G 1 1/4	130 L	118-001-04904	Cellulosa rinforzata Reinforced cellulose 10 µm	G 1 1/4	170 L	118-001-03677
		Rete metallica Metallic net 60 µm	G 1 1/4	250 L	118-001-01571												
Microfibra Micro-fibre glass 25 µm	G 1 1/4	130 L	118-001-04904														
Cellulosa rinforzata Reinforced cellulose 10 µm	G 1 1/4	170 L	118-001-03677														
		Rete metallica Metallic net 60 µm	G 1 1/4	250 L	118-001-01571												
		Microfibra Micro-fibre glass 25 µm	G 1 1/4	130 L	118-001-04904												
		Cellulosa rinforzata Reinforced cellulose 10 µm	G 1 1/4	170 L	118-001-03677												

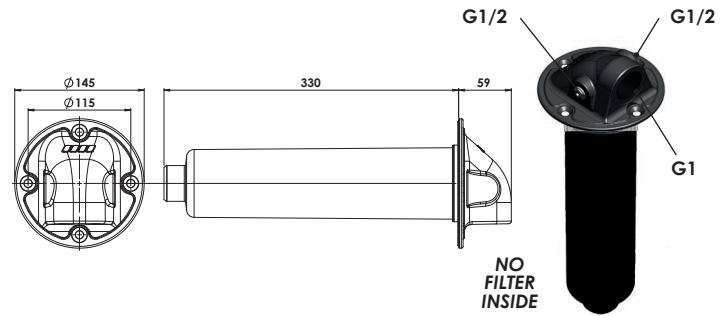
KOMBI Q

Calotta senza cartuccia filtro - 1 ritorno G1
Cap without filter cartridge - 1 return port G1



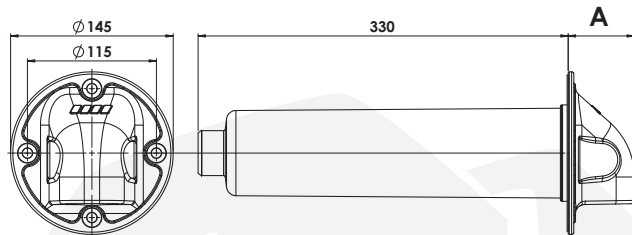
Cod.135-904-00056

Calotta senza cartuccia filtro-1 ritorno G1 e 2 ritorni ausiliari G1/2
Cap without filter cartridge-1 return G1 and 2 auxiliary return G1/2

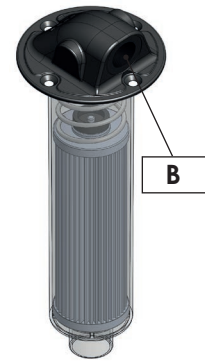


Cod.135-904-00083

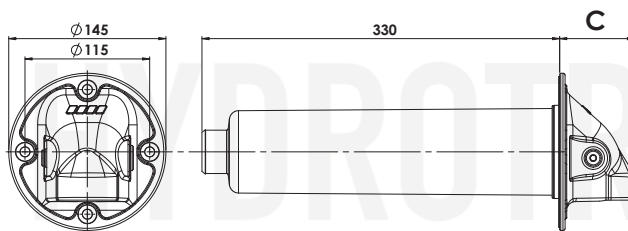
Calotta completa di cartuccia filtro 1 ritorno
Cap complete with filter cartridge 1 return port



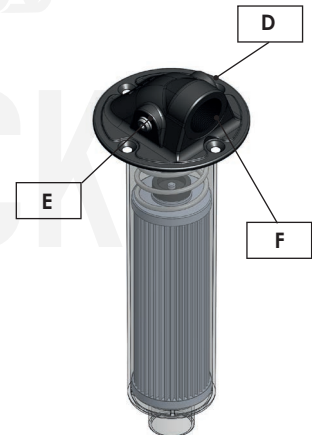
Cartuccia Cartridge	Codice Code	A	B
60 µm (acciaio/steel) 200 lt	118-001-20032	59	G 1
	118-001-20050	69	G 1-1/4
25 µm (cellulosa/cellulose) 160 lt	118-001-20041	59	G 1
	118-001-20069	69	G 1-1/4
25 µm (fibra/fiber) 160 lt	118-001-20078	59	G 1
	118-001-20087	69	G 1-1/4



Calotta completa di cartuccia filtro 1 ritorno e 2 ritorni ausiliari
Cap complete with filter cartridge 1 return and 2 auxiliary return ports



Cartuccia Cartridge	Codice Code	C	D	E	F
60 µm (acciaio/steel) 200 lt	118-001-20130	59	G 3/8	G 1/8	G 1
	118-001-20229	59	G 1/2	G 1/2	G 1
	118-001-20158	69	G 1/2	G 1/8	G 1-1/4
	118-001-20201	69	G 1/2	G 1/2	G 1-1/4
25 µm (cellulosa/cellulose) 160 lt	118-001-20149	59	G 3/8	G 1/8	G 1
	118-001-20210	59	G 1/2	G 1/2	G 1
	118-001-20167	69	G 1/2	G 1/8	G 1-1/4
	118-001-20194	69	G 1/2	G 1/2	G 1-1/4
25 µm (fibra/fiber) 160 lt	118-001-20176	59	G 3/8	G 1/8	G 1
	118-001-20185	69	G 1/2	G 1/8	G 1-1/4



Cartuccia di ricambio / Spare cartridge

118-002-11176 acciaio / steel (60 µm-200 lt)
 118-002-12175 cellulosa rinforzata / reinforced cellulose (25 µm-160 lt)
 118-002-12194 cartuccia microfibra/ microfiber cartridge (25 µm-160 lt)