

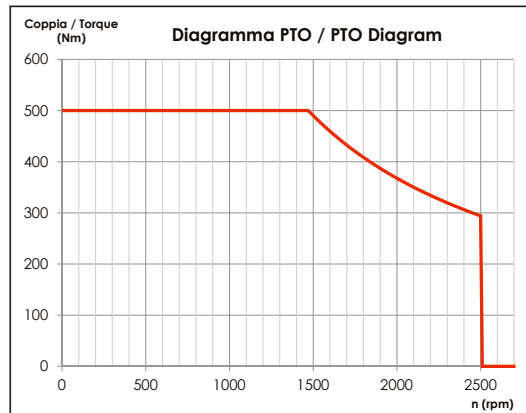
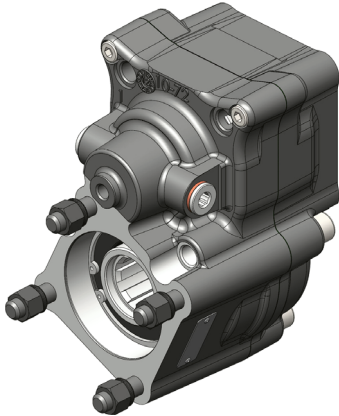
**PRESA DI FORZA A
COMANDO PNEUMATICO
"POWERFUL EVO"
PNEUMATIC CLUTCH
POWER TAKE-OFF
"POWERFUL EVO"**

CODICE PTO
PTO CODE

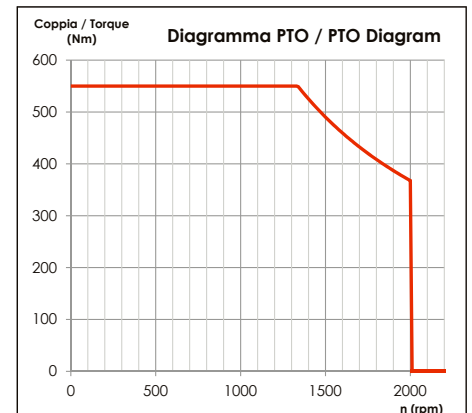
01007220179
01007320178
01007420177

CAMBIO
GEARBOX

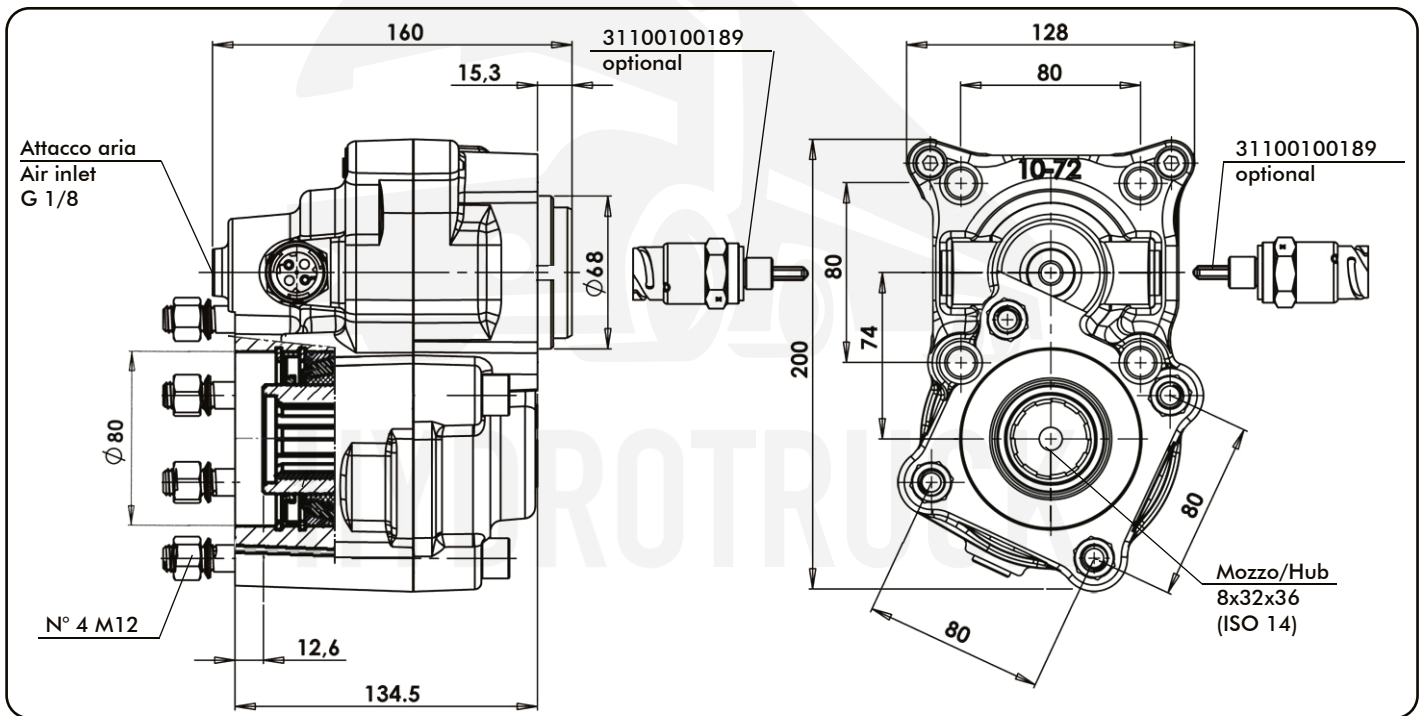
EATON - VOLVO
MERCEDES - ZF



01007220179
01007320178



01007420177



01/02/2021

99721027217 Rev. AB

Codice PTO PTO code	Versione Version	Rapporto interno Internal ratio	Giri pto a 1000 giri motore Pto ratio@1000 eng.rpm	Coppia massima Max torque Nm	Lato montaggio Mounting side	Uscita Output	Rotazione Rotation	Kit di montaggio Mounting kit	Peso Weight Kg
01007220179	17	1:1,53	Vedi indice See index	500	Poster. Rear	Poster. Rear	Ant. Acw	Vedi indice See index	8,6
01007320178		1:1,25							
01007420177		1:1		550					



www.hydrotruck.cz
info@hydrotruck.cz

Hydrotruck s.r.o.
Tovačovská 3457/4a
750 02, Přerov
Česká republika

COMPANY WITH
QUALITY SYSTEM
CERTIFIED BY DNV GL
= ISO 9001:2015 =