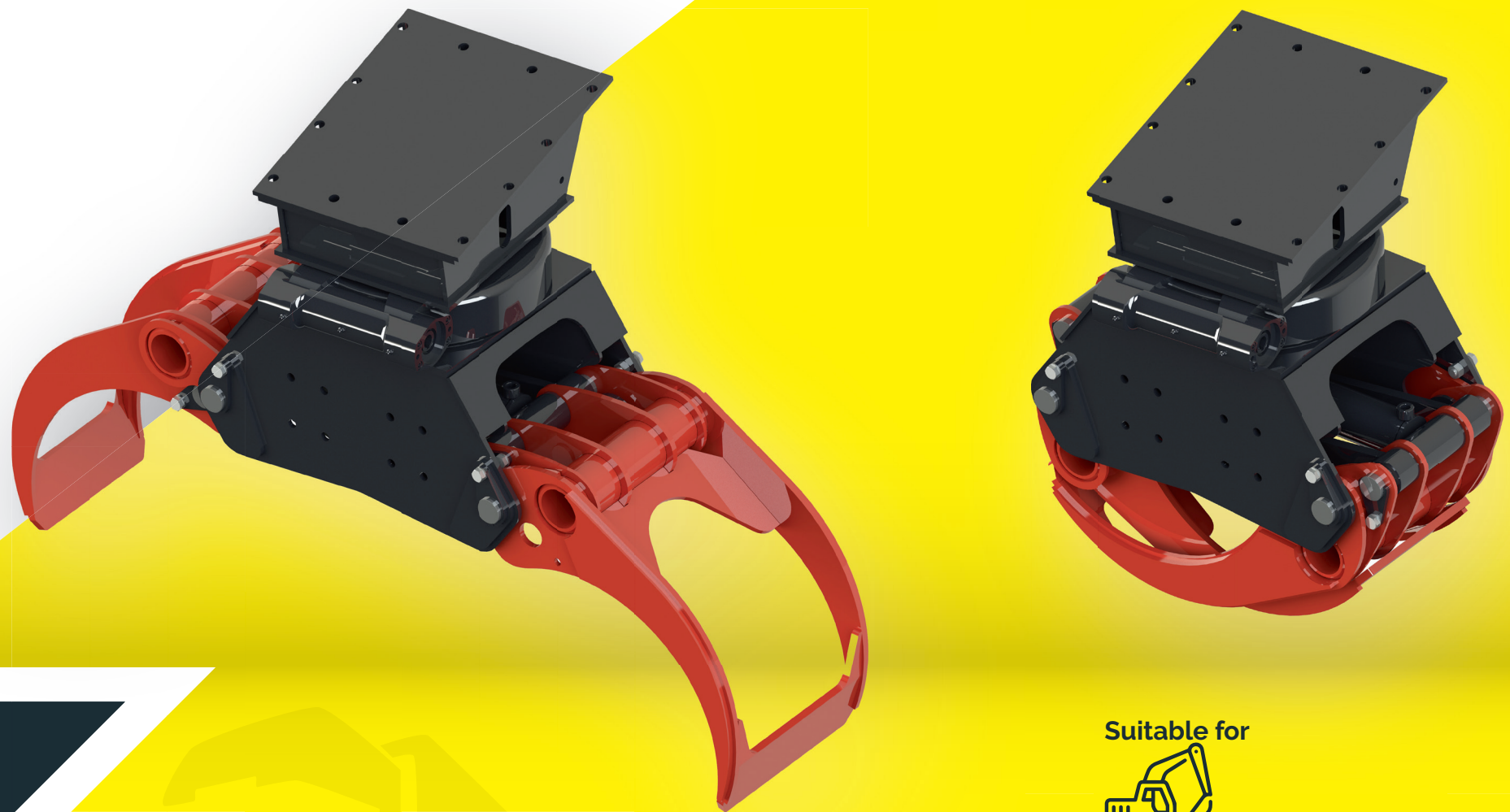


PROFESSIONAL LOG GRABS FOR EXCAVATORS

SUPERPOWERS, in your hands!

- Bronze bushings in all pin seats for a **perfect lubrication**
- **Strenx700** with high strength and low weight
- **Double spacing rod** and central cylinder to grand uniform push
- Reinforced head for **intensive use**
- **Slew ring rotation included**

SERIES GRA-E



Suitable for



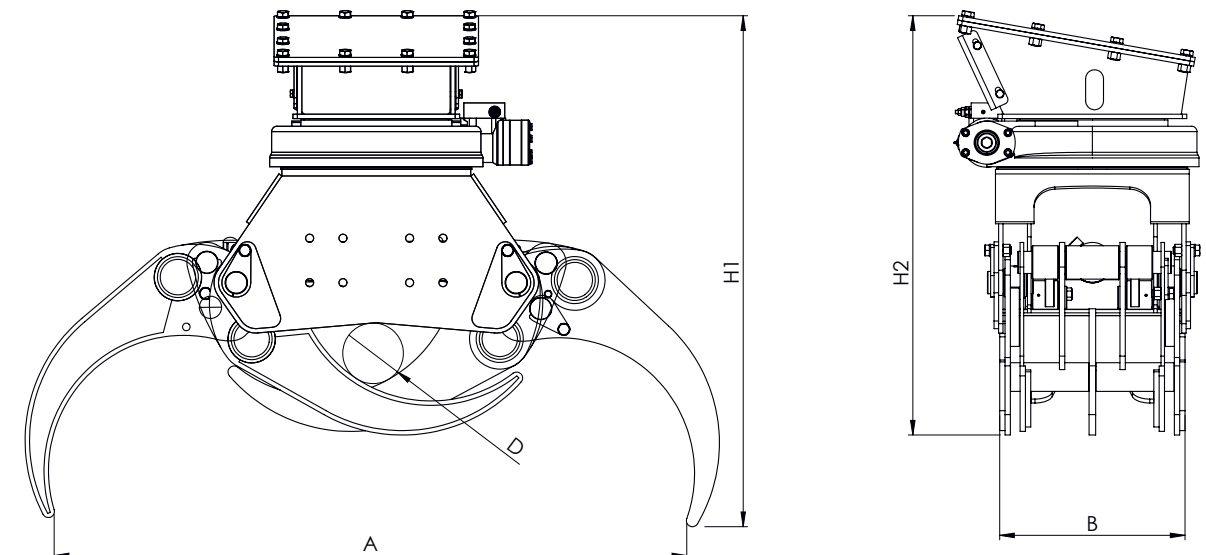
Excavator

Technical data

Model		GRA-E 16R	GRA-E 22R	GRA-E 26	GRA-E 42
Excavator	ton	1-2	2-5	8-12	12-20
Weight	kg	110	230	426	630
Area	m ²	0,16	0,22	0,26	0,42
Force	daN	800	1275	1700	2300
Max. load	kg	1000	2500	3000	5000
Max. pressure	bar	250	250	250	250
A	mm	1098	1394	1555	2040
B	mm	288	346	417	467
H1	mm	797	914	1085	1254
H2	mm	588	770	933	1073
D	mm	58	120	136	154

HYDROTRUCK

Technical drawings



www.hydrotruck.cz
info@hydrotruck.cz

Hydrotruck s.r.o.
Tovačovská 3457/4a
750 02, Přeřov
Česká republika