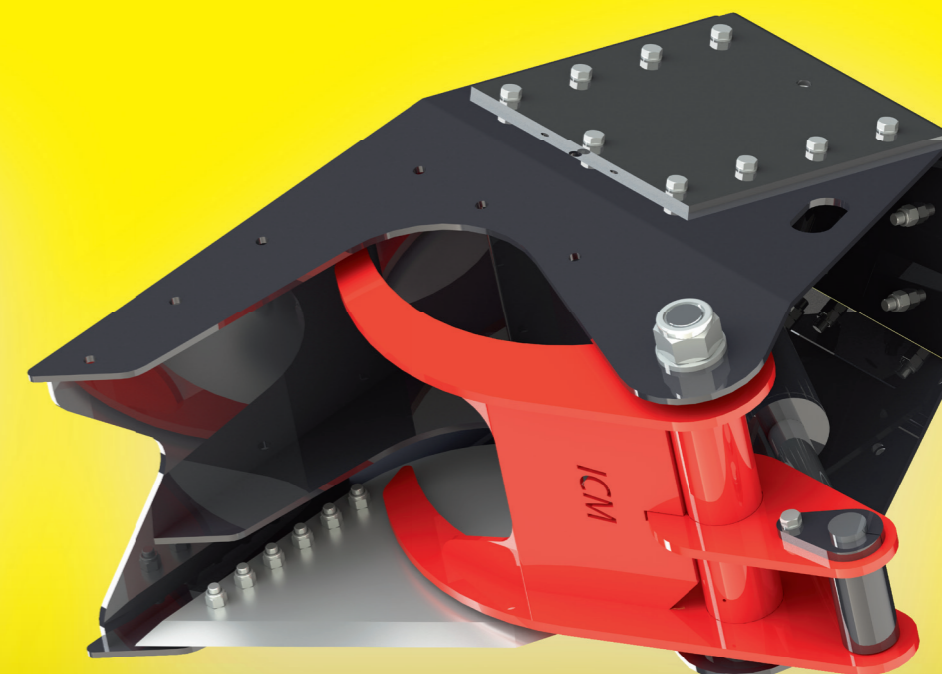
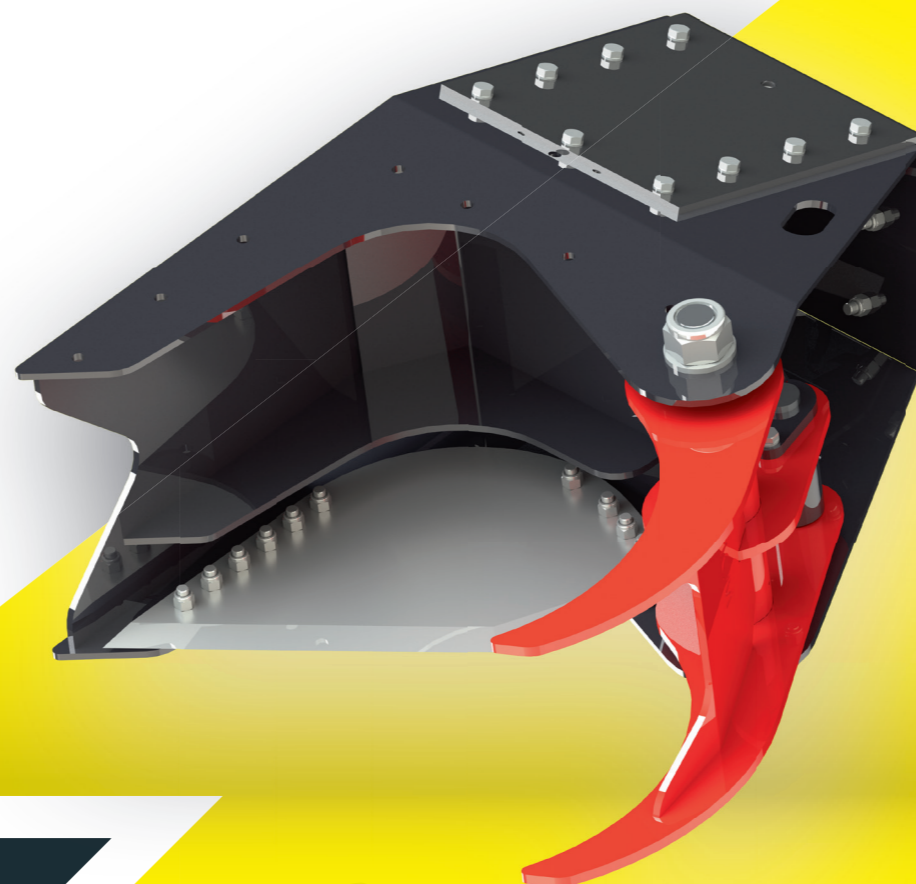


PROFESSIONAL TREE SHEARS

CUTTING is my middle name!

- Designed to work with high pressures which grant **strength and speed to cut**
- **Hardox400** blade for extra durability
- **Plate for quick coupling** included
- Optional rotation with slew ring



SERIES GRA-C

Suitable for



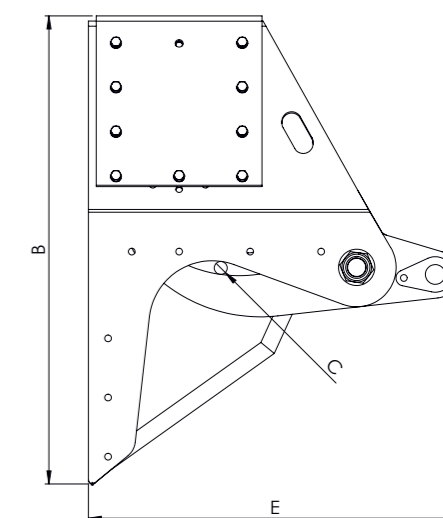
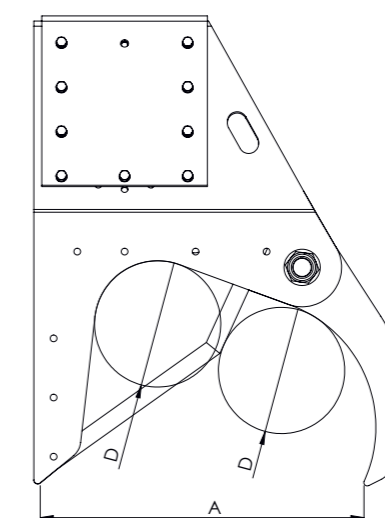
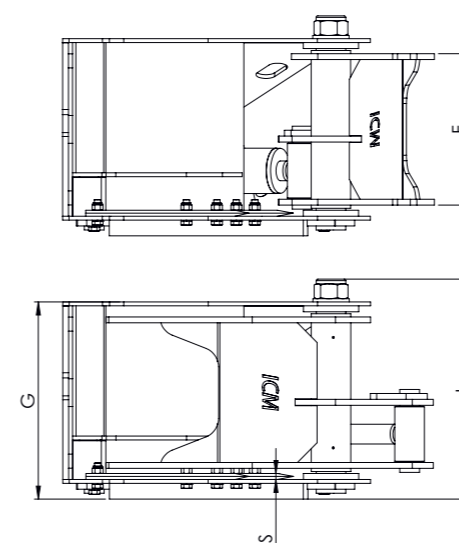
Excavator

Technical data

Model		GRA-C 20	GRA-C 30	GRA-C 45
Excavator	ton	2-6	5-15	15-30
Weight	kg	114	292	853
Force	daN	8800	18250	27000
Req. oil flow	lt/min	35	60	120
Max. pressure	bar	250	300	300
A	mm	613	810	1245
B	mm	822	1186	1743
C	mm	13	33	74
D	mm	227	335	504
E	mm	638	939	1479
F	mm	184	354	484
G	mm	390	500	630
L	mm	421	558	700
S	mm	10	15	20

HYDROTRUCK

Technical drawings



www.hydrotruck.cz
info@hydrotruck.cz

Hydrotruck s.r.o.
Tovačovská 3457/4a
750 02, Přerov
Česká republika